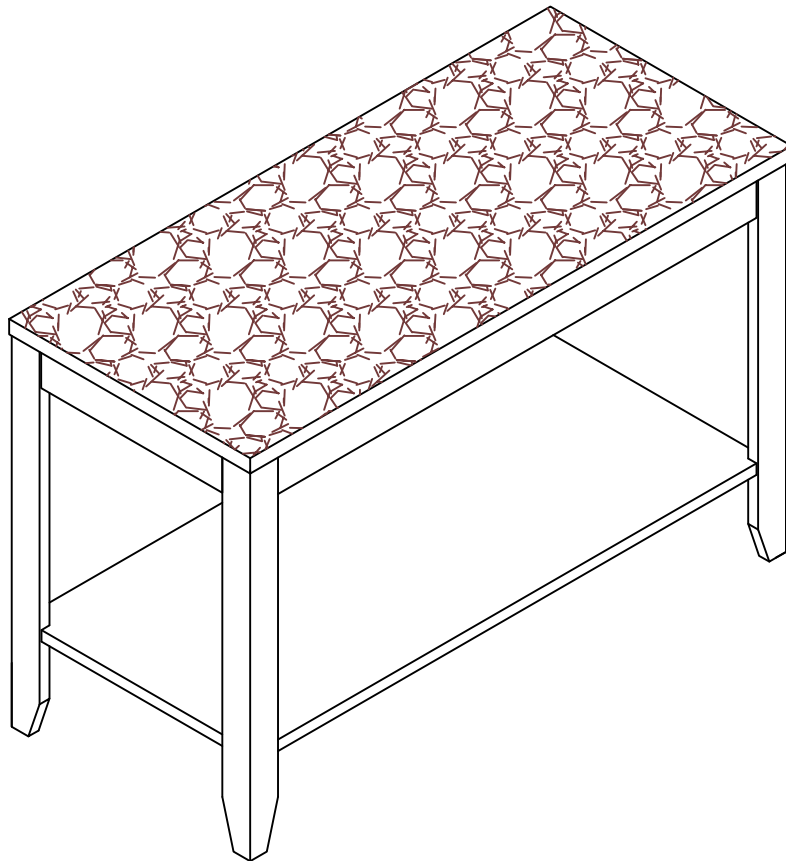


ASSEMBLY INSTRUCTIONS /  
INSTRUCTIONS D'ASSEMBLAGE

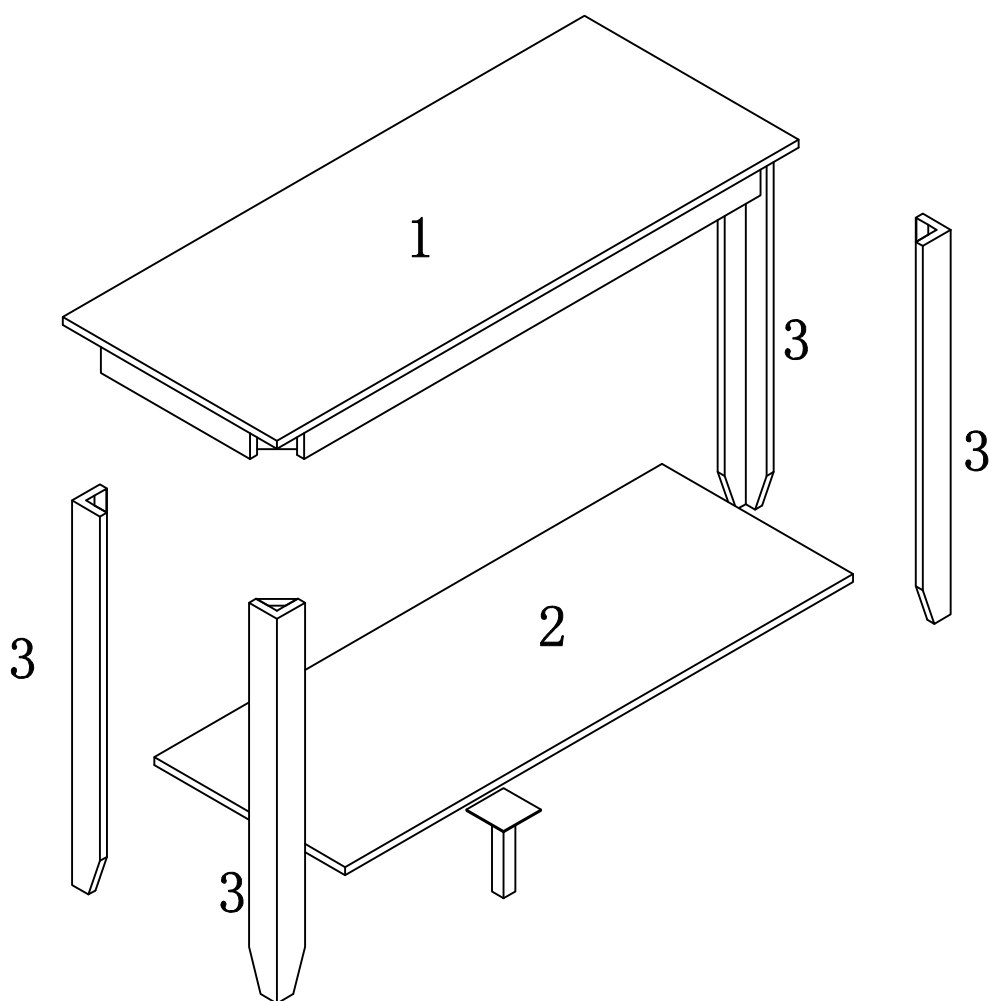
---

ITEM NO/NO ARTICLE: ROMASTB/151094



# PARTS IDENTIFICATIONS / IDENTIFICATION DES PIECES





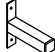
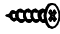


ITEM NO/NO ARTICLE: ROMASTB/151094



- |     |          |
|-----|----------|
| (1) | 1pc/pce  |
| (2) | 1pc/pce  |
| (3) | 4pcs/pce |

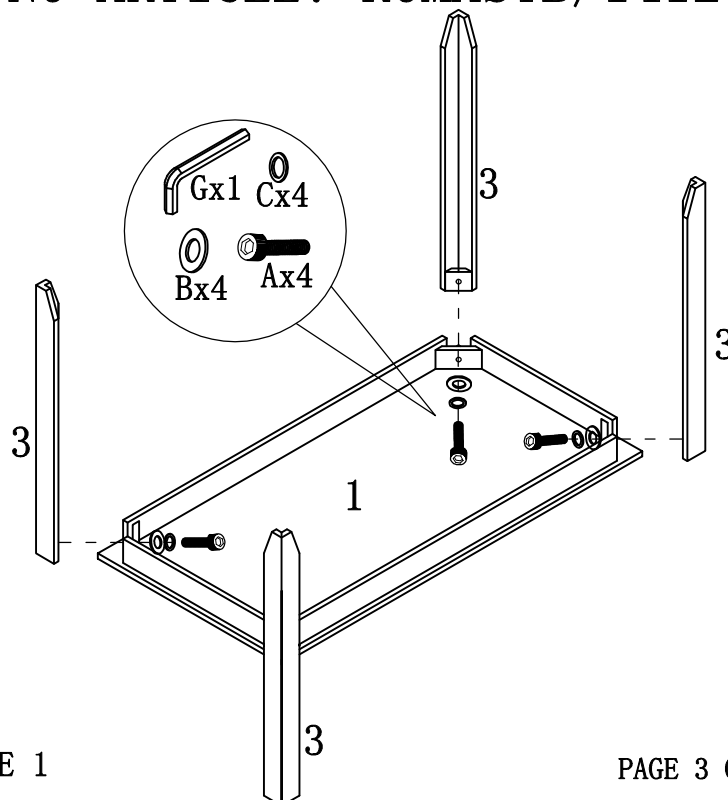
HARDWARE IDENTIFICATIONS/  
IDENTIFICATION DU KIT D'ASSEMBLAGE

ITEM NO/NO ARTICLE: ROMASTB/151094

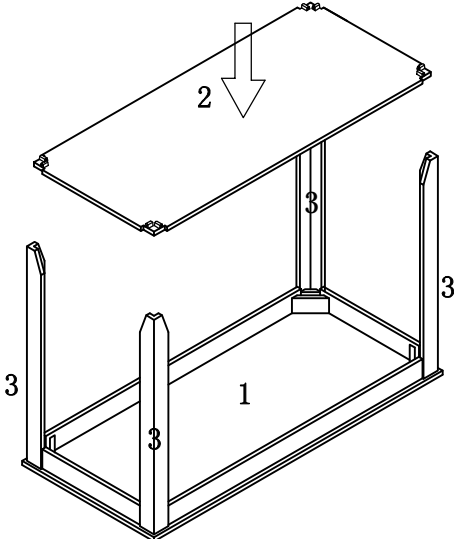
A		∅8x50	4pcs
B		∅16x2	4pcs
C			4pcs
D		∅4x25	8pcs
E		80x25x150	1pc
F		∅4x16	2pcs
G		M5	1pc
H		∅16	4pcs

HARDWARE IDENTIFICATIONS/  
IDENTIFICATION DU KIT D'ASSEMBLAGE

ITEM NO/NO ARTICLE: ROMASTB/141209-03X-16



ITEM NO/NO ARTICLE: ROMASTB/151094



STEP 2 / ETAPE 2

STEP 3 / ETAPE 3

