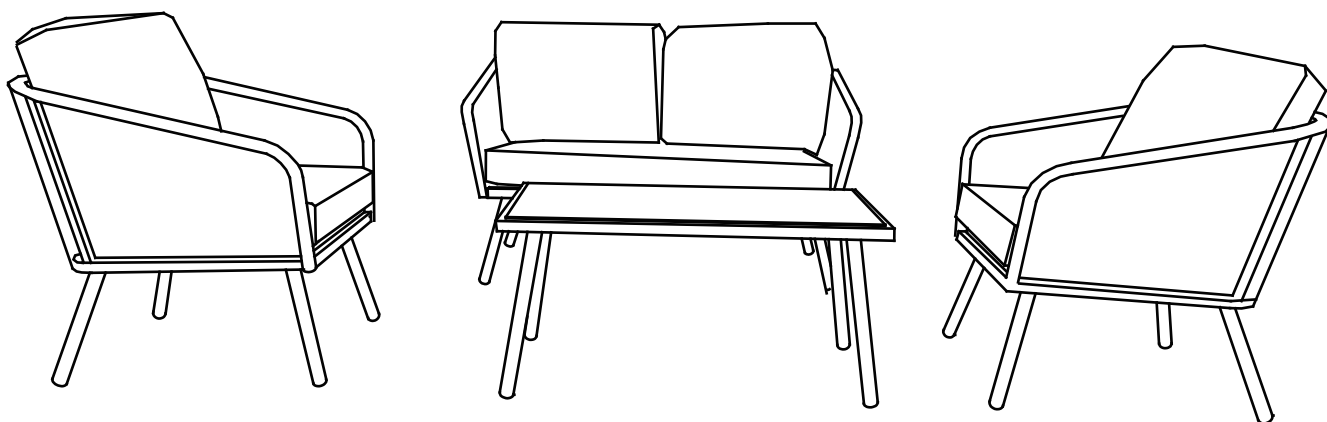


# ASSEMBLY INSTRUCTIONS / INSTRUCTIONS D'ASSEMBLAGE

ITEM NO / NO ARTICLE:

PORC4SET/PORB4SET(514142BR/ 514142BL)

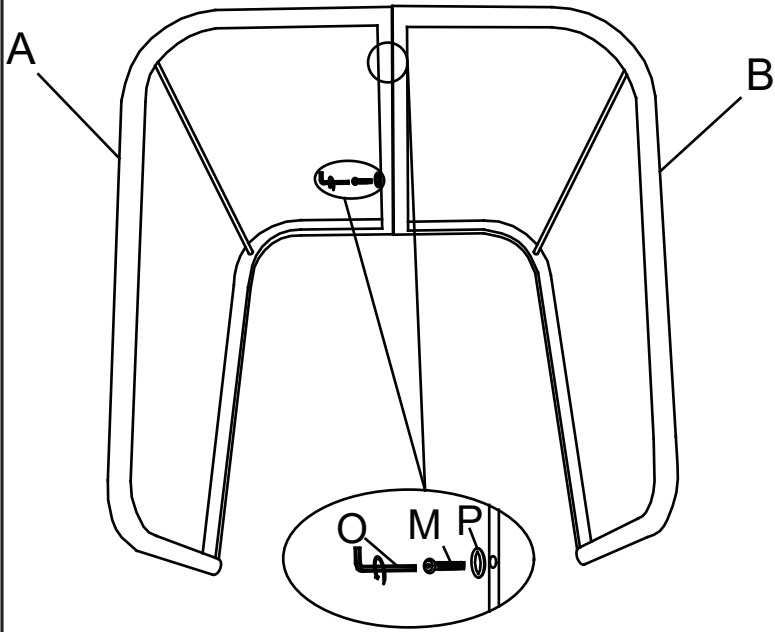


## HARDWARE LIST / LISTE DES PIECES

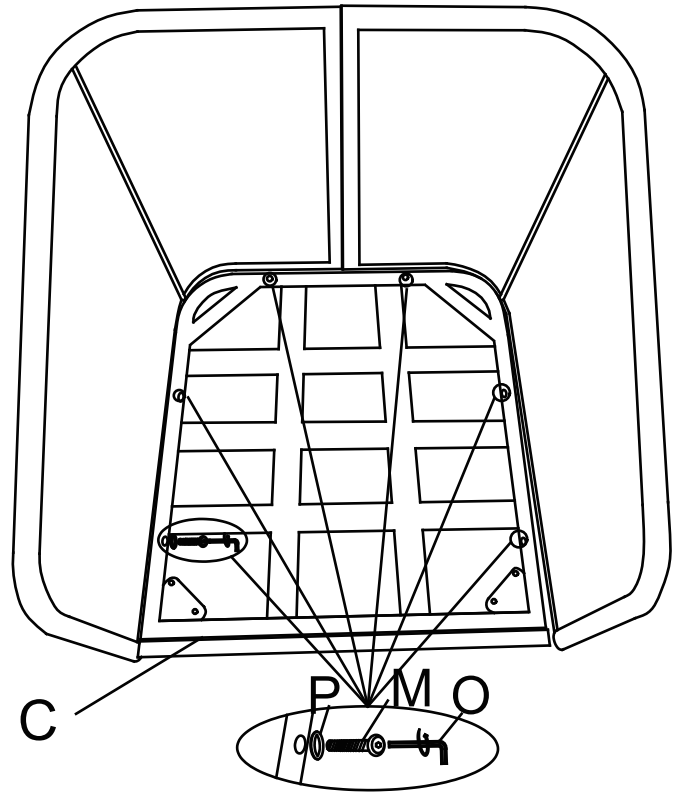
|   |  |   |
|---|--|---|
| A |  | 3 |
| B |  | 3 |
| C |  | 2 |
| D |  | 6 |
| E |  | 6 |
| F |  | 1 |
| G |  | 1 |
| H |  | 4 |
| I |  | 1 |

|   |       |                |
|---|-------|----------------|
| J |       | 4              |
| K |       | 1              |
| L | M6*15 | 52<br>+1 Spare |
| M | M6*40 | 27<br>+1 Spare |
| N |       | 2              |
| O |       | 1              |
| P |       | 79<br>+2 Spare |
| Q |       | 1              |

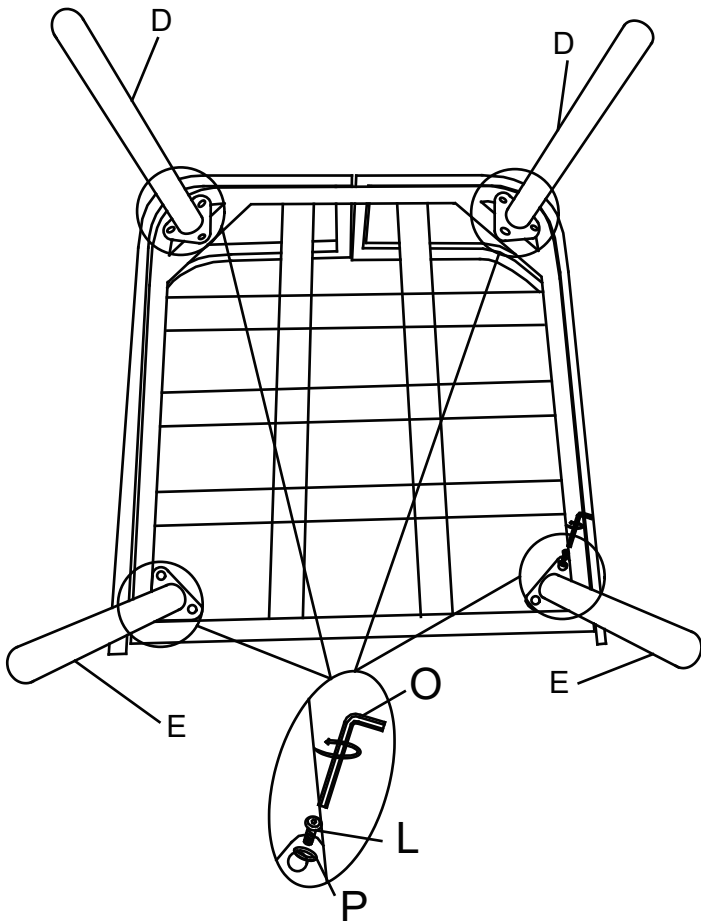
STEP 1(ETAPE 1)



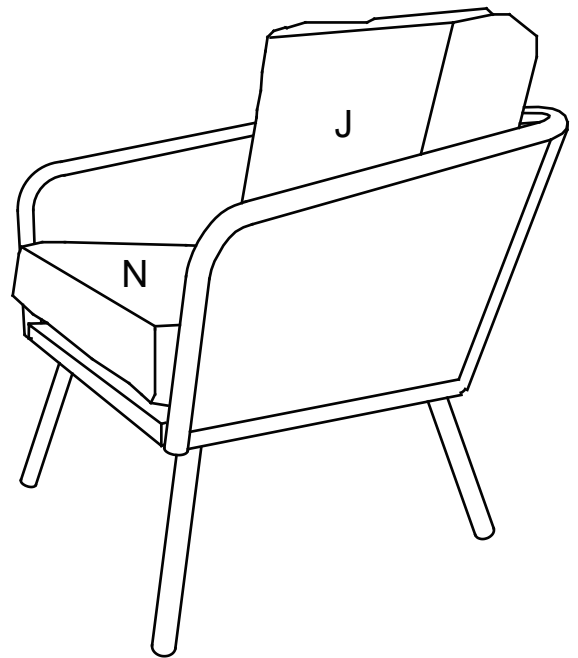
STEP 2(ETAPE 2)



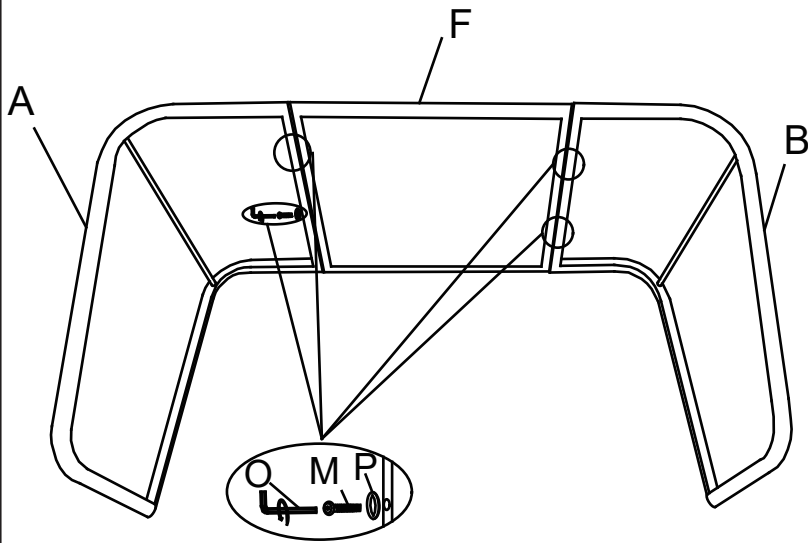
STEP 3(ETAPE 3)



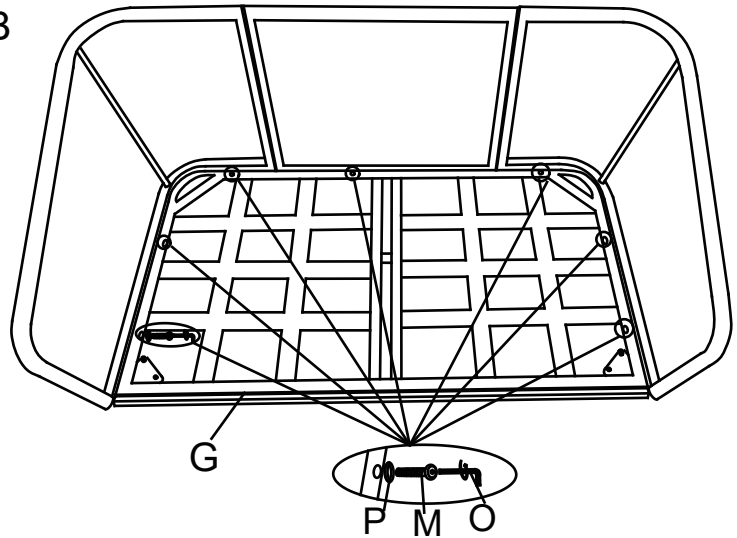
STEP 4(ETAPE 4)



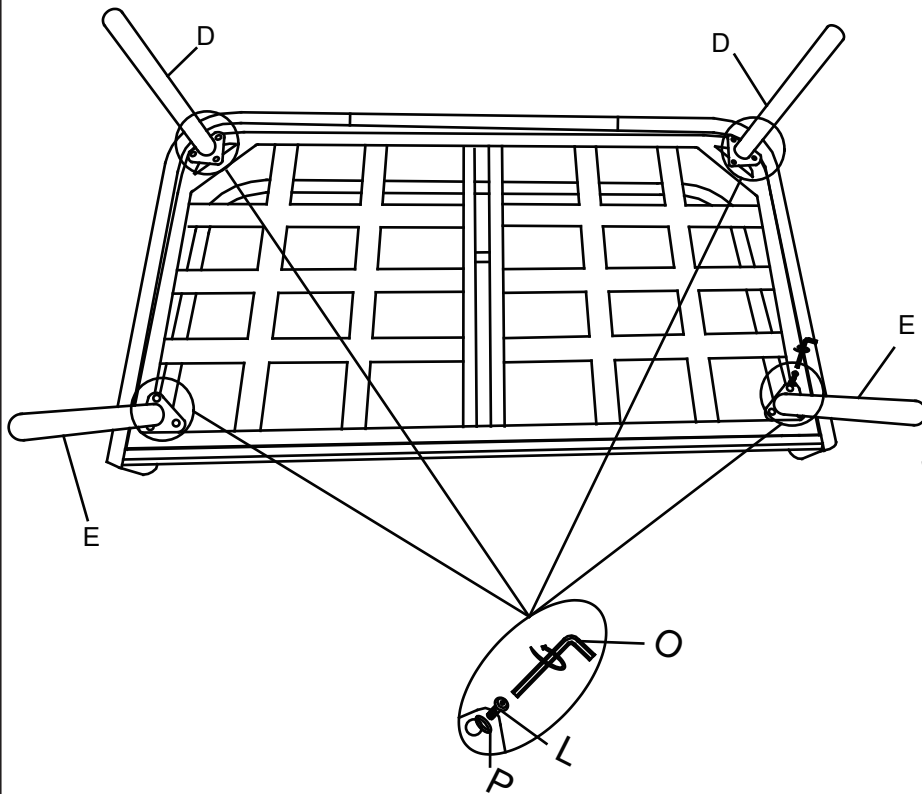
STEP 5(ETAPE 5)



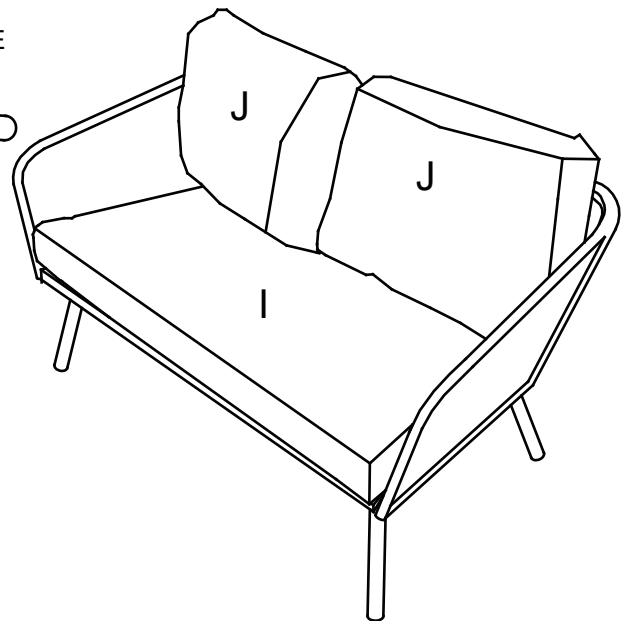
STEP 6(ETAPE 6)



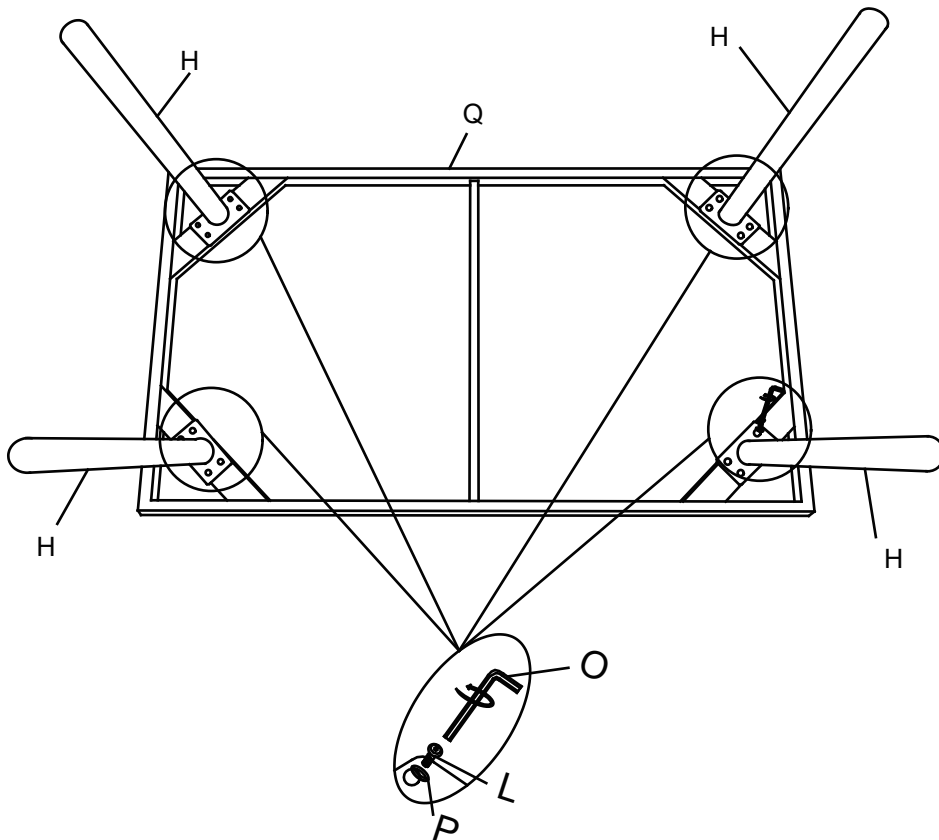
STEP 7(ETAPE 7)



STEP 8(ETAPE 8)



STEP 9(ETAPE 9)



STEP 10(ETAPE 10)

