



Installation Instructions

Built-In Dishwasher

If you have questions, call GE Appliances at 800.GE.CARES (800.432.2737) or visit our website at: GEAppliances.com. In Canada, please call 800.561.3344 or visit www.geappliances.ca

BEFORE YOU BEGIN

Read these instructions completely and carefully.

⚠ WARNING

- Remove all power leading to the appliance from the circuit breaker or fuse box before beginning installation. Failure to do so can result in a risk of electrical shock.
- To reduce the risk of electric shock, fire, or injury to persons, the installer must ensure that the dishwasher is completely enclosed at the time of installation.
- The improper connection of the equipment grounding conductor can result in a risk of electric shock. Check with a qualified electrician or service representative if you are in doubt that the appliance is properly grounded. If house wiring is not 2-wire with ground, a ground must be by the installer. When house wiring is aluminum, be sure to use UL-Listed anti-oxidant compound and aluminum-to-copper connectors.
- To reduce the risk of electric shock, fire, or injury to persons, the installer should check to ensure that wires are not pinched or damaged, the house wiring is attached to the junction box bracket through a strain relief, and all electrical connections made at the time of install (wire nuts) are contained inside of the junction box cover.
- Do not use an extension cord or adapter plug with this appliance.

- Be sure to leave complete literature package, these Installation Instructions and product samples and/or coupons with the consumer.

NOTE: Product improvement is a continuing endeavor at GE Appliances. Therefore, materials, appearance and specifications are subject to change without notice.

FOR YOUR SAFETY

Read and observe all **WARNINGS** and **CAUTIONS** shown throughout these instructions.

While performing installations described in this booklet, **gloves and safety glasses or goggles should be worn.**

IMPORTANT – Observe all governing codes and ordinances.

- **Note to Installer** – Be sure to leave these instructions for the consumer's and local inspector's use.

- **Note to Consumer** – Keep these instructions with your Owner's Manual for future reference.

- **Skill Level** – Installation of this dishwasher requires basic mechanical, electrical and plumbing skills.

Proper installation is the responsibility of the installer. Product failure due to improper installation is not covered under the GE Appliances Warranty. See Warranty information.

- **Completion Time – 1 to 3 Hours.** New installations require more time than replacement installations.

IMPORTANT – The dishwasher **MUST** be installed to allow for future removal from the enclosure if service is required.

Care should be exercised when the appliance is installed or removed, to reduce the likelihood of damage to the power supply cord.

If you received a damaged dishwasher, you should immediately contact your dealer or builder.

Optional Accessories – See the Owner's Manual for available custom panel kits.

Your dishwasher is a water heating appliance.

**READ CAREFULLY
KEEP THESE INSTRUCTIONS**

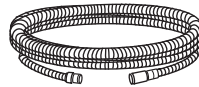


0120501699B

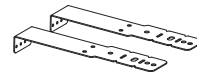
Installation Preparation

PARTS SUPPLIED IN INSTALLATION PACKAGE:

- Drain hose extension
- Hose Clamp
- 2 mounting brackets for wood countertop or side cabinets (**NOTE:** Use the appropriate brackets, as shown, for your model width.)
- Toekick Insulation (18" Models Only)
- 6 Phillips-Head screws to secure dishwasher to underside of countertop or to side cabinets
- Literature, samples and/or coupons

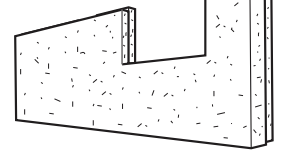


Drain Hose Extension

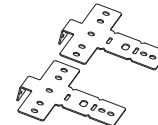


Mounting Brackets (18" Models Only)

Toekick Insulation (18" Models Only)



Hose Clamp



Mounting Brackets (24" Models Only)



Phillips-Head Screws



Literature

MATERIALS YOU WILL NEED:

- UL-listed wire nuts (3)
- Thread Seal Tape
- 90° elbow (3/4" hose internal thread on one end, opposite end sized to fit water supply)



Wire Nuts (3)



Thread Seal Tape



90° Elbow

Materials For New Installations Only:

- Air gap for drain hose, if required
- Waste tee for house plumbing, if applicable
- Electrical cable or Power Cord Kit **WX09X70910** (5' 4" long) or **WX09X70911** (7' 9" long) depending on your installation.
- Screw-type hose clamp(s)
- Strain relief for electrical connection
- Hand shut-off valve (recommended)
- Hot water line—3/8" minimum, copper tubing (including ferrule, compression nut) or GE Appliances Part # **WX28X326**, flexible braided hose.



Air Gap



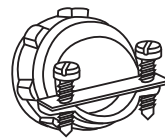
Waste Tee



Electrical Cable (or Power Cord, if applicable)



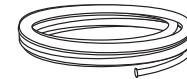
Hose Clamp(s)



Strain Relief



Hand Shut-Off Valve



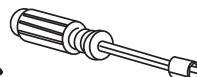
Hot Water Line, Ferrule and Compression Nut

TOOLS YOU WILL NEED:

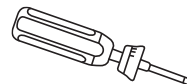
- Phillips-head screwdriver
- 1/4" and 5/16" nutdriver
- T25 torque driver
- 6" adjustable wrench
- Gloves
- Safety glasses
- Flashlight
- Bucket to catch water when flushing the line
- Level
- Measuring tape
- Carpenter's square



Phillips-Head Screwdriver



1/4" and 5/16" Nutdriver



T25 Torque Driver



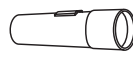
6" Adjustable Wrench



Gloves



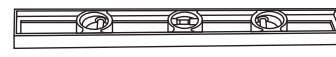
Safety Glasses



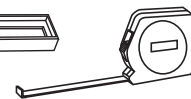
Flashlight



Bucket

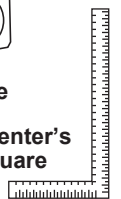


Level



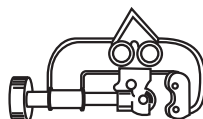
Measuring Tape

Carpenter's Square

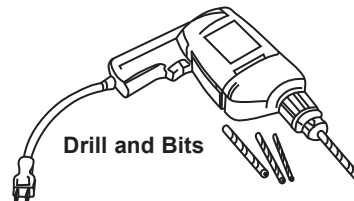


For New Installations Only:

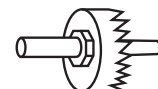
- Tubing cutter
- Drill and appropriate bits
- Hole saw set



Tubing Cutter



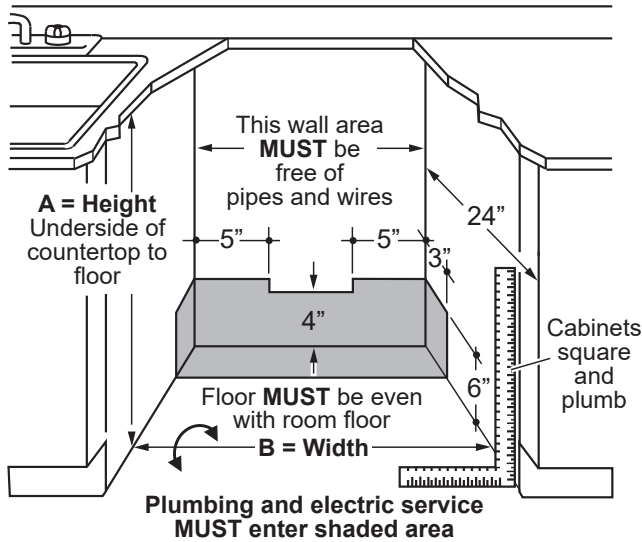
Drill and Bits



Hole Saw Set

Installation Preparation

PREPARE DISHWASHER ENCLOSURE



	A	B
18" Models Only	32-1/2" min.-34-3/4" max.	18"
24" Models Only	32-3/8" min.-34-3/4" max.	24"

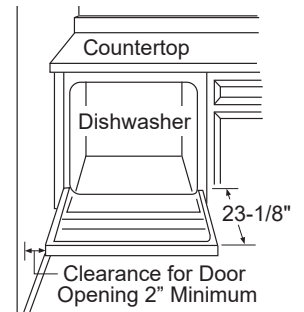
⚠ WARNING

To reduce the risk of electric shock, fire, or injury to persons, the installer must ensure that the dishwasher is completely enclosed at the time of installation.

- The dishwasher must be installed so that drain hose is no more than 12' in length for proper drainage.
- The dishwasher must be fully enclosed on the top, sides and back, and must not support any part of the enclosure.

CLEARANCES:

- When installed into a corner, allow 2" min. clearance between dishwasher and adjacent cabinet, wall or other appliances. Allow 23-1/8" min. clearance from the front of the dishwasher for door opening.



DRAIN REQUIREMENTS

- Follow local codes and ordinances.
- Do not exceed 12' distance to drain.
- Drain connection height is not to exceed 72" above bottom of dishwasher.

NOTE : Air gap must be used if waste tee or disposer connection is less than 18" above floor to prevent siphoning.

DETERMINE DRAIN METHOD

The type of drain installation depends on the following questions.

- Do local codes or ordinances require an air gap?
- Is waste tee less than 18" above floor?

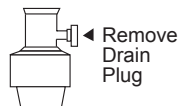
If the answer to either question is YES, Method 1 MUST be used.

- If the answers are NO, either method may be used.

CABINET PREPARATION

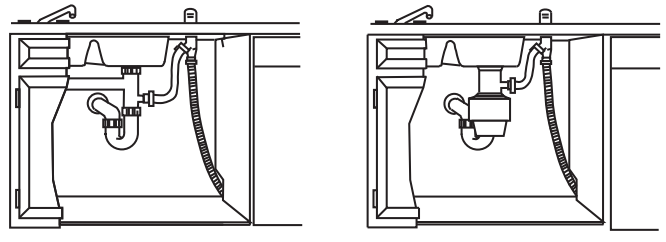
- Drill a 1-1/2" diameter hole in the cabinet wall within the shaded areas shown in **PREPARE DISHWASHER ENCLOSURE** for the drain hose connection. The hole should be smooth with no sharp edges.

IMPORTANT – When connecting drain line to disposer, check to be sure that drain plug has been removed. **DISHWASHER WILL NOT DRAIN IF PLUG IS LEFT IN PLACE.**

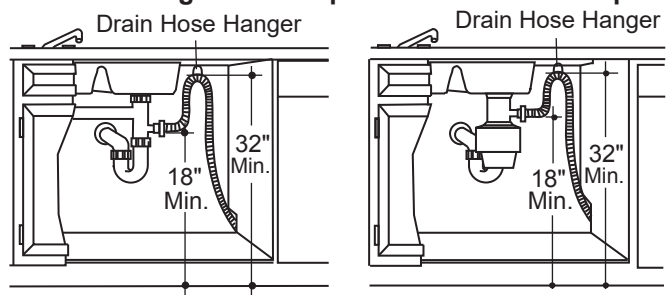


Method 1 – Air Gap with Waste Tee or Disposer

An air gap must be used when required by local codes and ordinances. The air gap must be installed according to manufacturer's instructions.



Method 2 – "High Drain Loop" with Waste Tee or Disposer



Tip: Avoid unnecessary service call charges.

Always be sure disposer drain plug has been removed before attaching dishwasher drain hose to the disposer.

Installation Preparation

PREPARE ELECTRICAL WIRING

⚠ WARNING

Remove all power leading to the appliance from the circuit breaker or fuse box before beginning installation. Failure to do so can result in a risk of electrical shock.

ELECTRICAL REQUIREMENTS

Be sure that the electrical connection and wire size are adequate and in conformance with the National Electric Code, ANSI/NFPA 70 – latest edition, and all local codes and ordinances.

This appliance must have:

- 120V, 60Hz, AC-only, 15-ampere or 20-ampere, fused electrical supply.
- Wiring must be 2 wire with ground and rated for 75°C (167°F).
- If the electrical supply does not meet the above requirements, call a licensed electrician before proceeding.

It is recommended to have:

- A circuit breaker or time-delay fuse.
- A properly grounded individual branch circuit.

Grounding Instructions—Permanent Connection

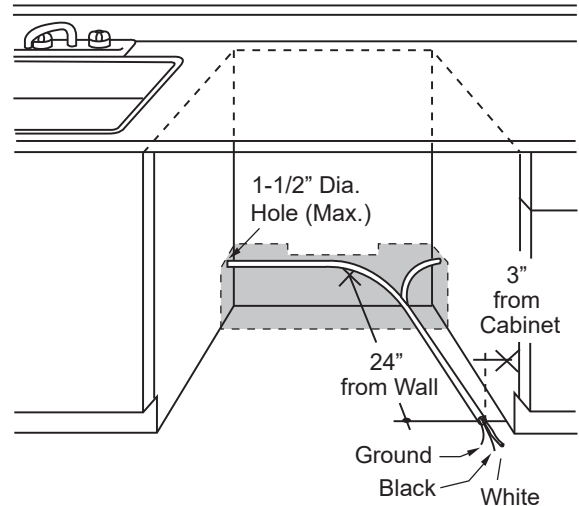
This appliance must be connected to a grounded metal, permanent wiring system, or an equipment-grounding conductor must be run with the circuit conductors and be connected to the equipment-grounding terminal or lead on the appliance.

Grounding Instructions—Power Cord Models

This appliance must be grounded. In the event of a malfunction or breakdown, grounding will reduce the risk of electric shock by providing a path of least resistance for electric current. This appliance is equipped with a cord having an equipment-grounding conductor and a grounding plug. The plug must be plugged into an appropriate outlet that is installed and grounded in accordance with all local codes and ordinances.

⚠ WARNING

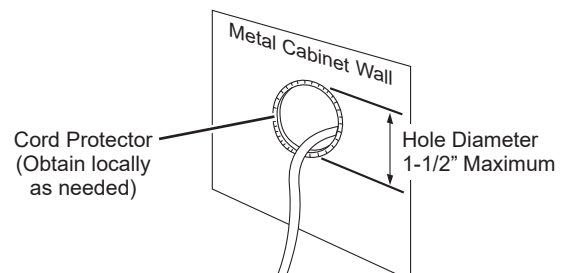
The improper connection of the equipment grounding conductor can result in a risk of electric shock. Check with a qualified electrician or service representative if you are in doubt that the appliance is properly grounded. Do not modify the plug provided with the appliance; if it will not fit the outlet, have a proper outlet installed by a qualified technician.



Cabinet Preparation & Wire Routing

- The wiring may enter the opening from either side, rear or the floor within the shaded area illustrated above in figure and as defined in **PREPARE DISHWASHER ENCLOSURE** section.
- Cut a 1-1/2" maximum diameter hole to admit the electrical cable. Edges of hole should be smooth and rounded. Permanent wiring connections may pass through the same hole as the drain hose and hot water line, if convenient. If cabinet wall is metal, the hole edge must be covered with a bushing.

NOTE: Power cords with plug must pass through a separate hole in the cabinet.



Electrical Connection to Dishwasher

Electrical connection is on the right front of dishwasher.

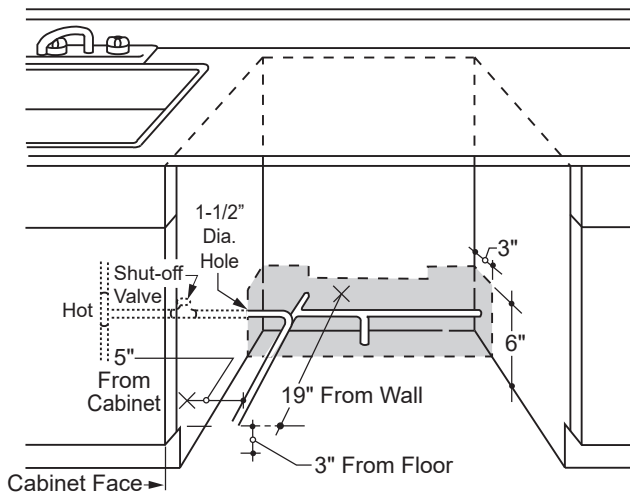
- For permanent connections the cable must be routed as shown in figure. Cable must extend a minimum of 24" from the rear wall.
- For power cord connections, install a 3-prong grounding type receptacle in the sink cabinet rear wall, 6" min. or 18" maximum from the opening, 6" to 18" above the floor.
- Use only **WX09X70910** (5' 4" long) or **WX09X70911** (7' 9" long) Dishwasher Power Cord Kit. Do not use an extension cord or adapter plug with this appliance.

Installation Preparation

PREPARE HOT WATER LINE

NOTE: GE Appliances recommends copper tubing for the water line, but if you choose to use flexible hose, use GE Appliances **WX28X326**, flexible braided hose.

- The water supply line (3/8" copper tubing or flexible braided hose) may enter from either side, rear or floor within the shaded area shown in the figure.
- The water supply line may pass through the same hole as the electrical cable and drain hose. Or, cut an additional 1-1/2" diameter hole to accommodate the water line. If power cord with plug is used, water line must not pass through power cord hole.



WATER LINE CONNECTION

- If using a flexible braided supply hose, label the hose with the installation date to use as reference. Flexible braided hoses, elbows and gaskets should be replaced in 5 years.
- Turn off the water supply.
- Install a hand shut-off valve in an accessible location, such as under the sink. (Optional, but strongly recommended and may be required by local codes.)
- Water connection is on the left side of the dishwasher. Install the hot water inlet line, using no less than 3/8" copper tubing or a flexible braided hose. Route the line as shown in **PREPARE HOT WATER LINE** and extend forward at least 19" from rear wall.
- Adjust water heater for 120°F to 140°F temperature.
- Flush water line to clean out debris.
- The hot water supply line pressure must be 20-120 PSI.

PREPARATION

Locate the items in the installation packages:

- Screws
- Drain hose extension
- Mounting brackets
- Literature, product samples and/or coupons

Turn page to begin dishwasher installation.

Dishwasher Installation

STEP 1 CHECK DOOR BALANCE

CAUTION

Opening the door will cause the dishwasher to tip forward when it is not fully installed. When opening the door prior to the dishwasher being fully installed, hold the top of the dishwasher securely with one hand and hold the door with the other hand. Gloves should be worn.



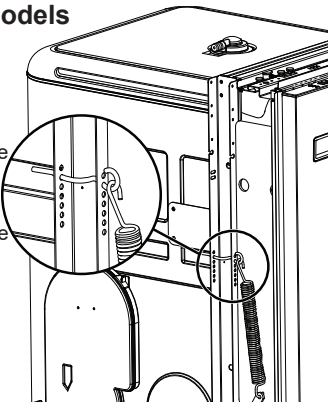
To check the door balance, hold the top of the dishwasher firmly.

- Check the door balance by opening and closing the door.

- If the door drops when released, increase the spring tension. If the door rises when released, decrease the spring tension.

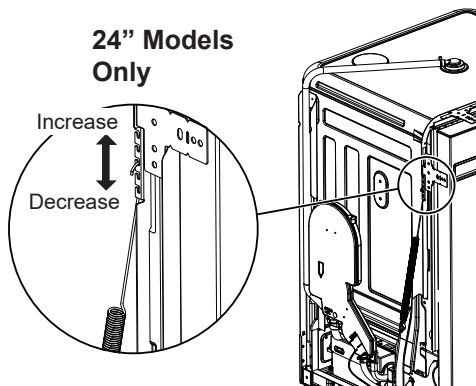
18" Models Only

Increase
Decrease



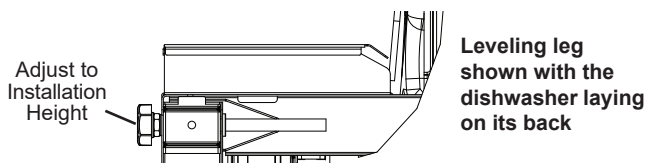
24" Models Only

Increase
Decrease



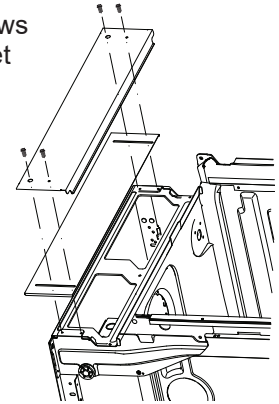
STEP 2 ADJUST LEVELING LEGS

- Move the dishwasher close to the installation location and lay it on its back. **NOTE:** Do not place the dishwasher on its side.
- Measure installation height and dishwasher height. Extend leveling legs out from the dishwasher base, 1/2" less than installation height.



STEP 3 REMOVE TOEKICK

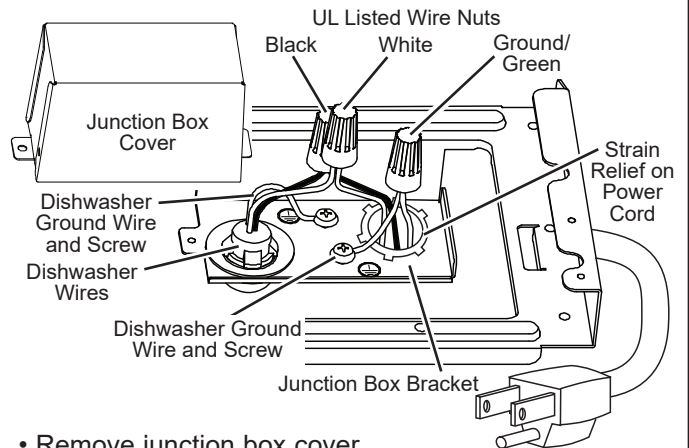
- Remove the 4 toekick screws and the 2-piece toekick. Set aside for use in Step 19.



STEP 4 INSTALL POWER CORD

Skip this step if the dishwasher will be permanently connected to the house electrical system or has a factory-installed power cord.

- The power cord and connections must comply with the National Electrical Code, Section 422 and/or local codes and ordinances. Maximum power cord length is 6 feet. Power Cord Kit **WX09X70910** or **WX09X70911**, available for purchase from an authorized GE Appliances dealer, meets these requirements.

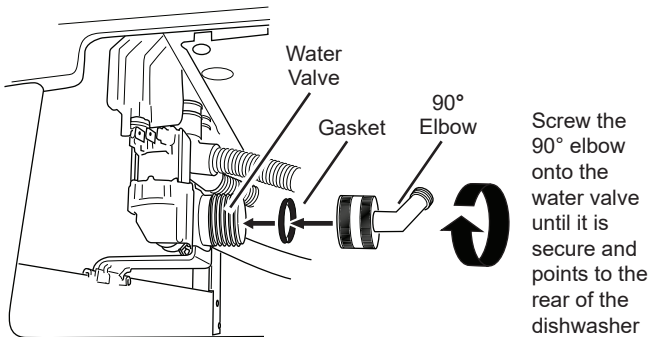


- Remove junction box cover.
- Install strain relief in the junction box bracket.
- Insert the power cord through the strain relief and tighten.
- Make sure black, white and green dishwasher wires are threaded through the hole in the junction box bracket.
- Connect power cord white (or ribbed) to dishwasher white, black (or smooth) to dishwasher black and ground to dishwasher green wire. Use UL-listed wire nuts of appropriate size.
- Replace junction box cover using the screw. Be sure wires are not pinched under the cover.

Dishwasher Installation

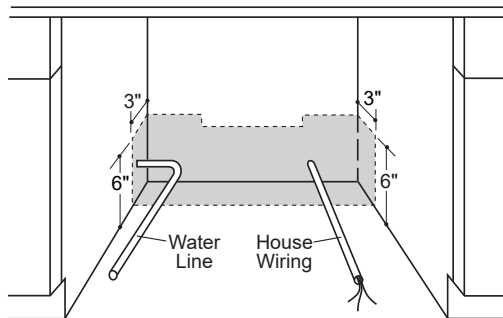
STEP 5 INSTALL 90° ELBOW

- Ensure rubber gasket is located between valve and elbow.
- Thread 90° elbow onto the water valve.
- Do not overtighten elbow. Water valve bracket could bend or water valve fitting could break.
- Position the end of the elbow to face the rear of the dishwasher.



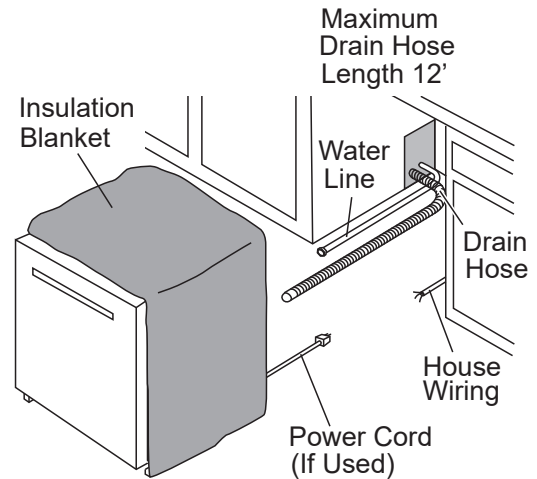
STEP 6 POSITION WATER LINE AND HOUSE WIRING

- Position water supply line and house wiring on the floor of the opening to avoid interference with base of dishwasher and components under dishwasher.



STEP 7 INSTALL DRAIN HOSE, THROUGH CABINET

- Stand the dishwasher upright and position it in front of cabinet opening. Insert drain hose into the hole in cabinet side. If a power cord is used, guide the end through a separate cabinet opening.



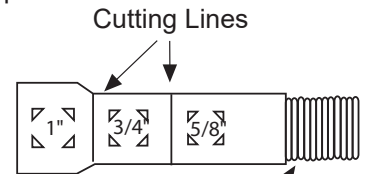
Tip: Prevent unnecessary service call charges for fill, drain or noise concerns.

Position utility lines so they do not interfere with anything under or behind the dishwasher.

STEP 8 CONNECT DRAIN LINE

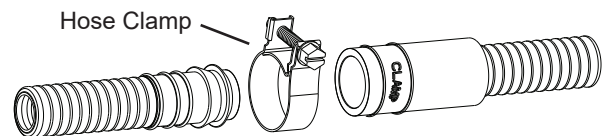
The molded end of the drain hose will fit 5/8" through 1" diameter inlet ports on the air gap, waste tee or disposer.

- Determine size of inlet port.
- Cut drain hose connector on the marked line, if required, to fit the inlet port.



- Use the drain hose extension provided and connect directly to the drain loop already attached to the unit. Secure the connection, with hose clamp, to the provided user bag drain hose.

IMPORTANT: Do NOT cut corrugated portion of hose



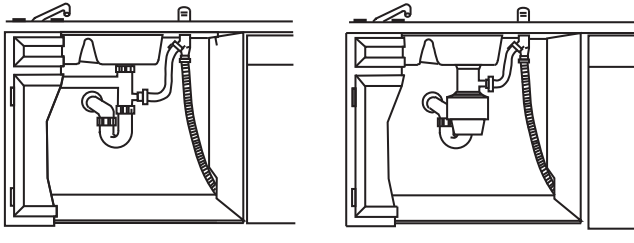
- **DRAIN CONNECTION HEIGHT IS NOT TO EXCEED 72" ABOVE BOTTOM OF DISHWASHER.**
- **TOTAL DRAIN HOSE LENGTH MUST NOT EXCEED 12 FEET FOR PROPER DRAIN OPERATION.**

Dishwasher Installation

STEP 8 CONNECT DRAIN LINE (CONT.)

- Connect drain line to air gap, waste tee or disposer using the previously determined method. Secure hose with a screw-type clamp.

Method 1 – Air gap with waste tee or disposer

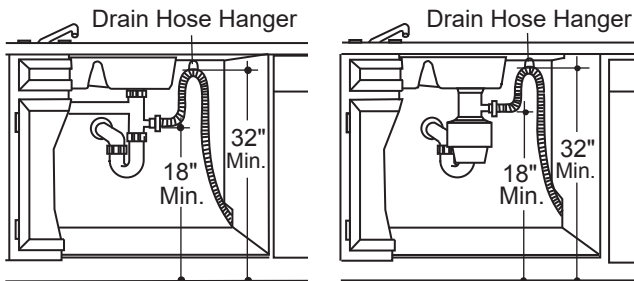


Waste Tee Installation

Disposer Installation

Method 2 – “High drain loop” with waste tee or disposer

Fasten drain hose to underside of countertop with a hanger.

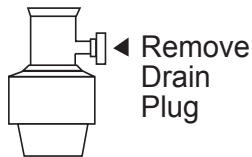


Waste Tee Installation

Disposer Installation

IMPORTANT – Either one of the above methods must be used or dishwasher will not operate properly.

IMPORTANT – When connecting drain line to disposer, check to be sure that drain plug has been removed. **DISHWASHER WILL NOT DRAIN IF PLUG IS LEFT IN PLACE.**



Tip: Avoid unnecessary service call charges for a no drain complaint.

Make sure excess drain hose has been pulled through the cabinet opening. This will prevent excess hose in the dishwasher cavity from becoming kinked or crushed by the dishwasher.

STEP 9 INSTALL MOUNTING BRACKETS

You will need the mounting brackets and 4 of the Phillips-Head screws set aside in the **PREPARATION** section.

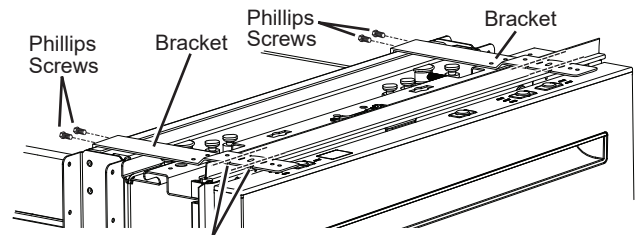
You must install the mounting brackets onto the dishwasher tub frame top **OR** sides prior to sliding the dishwasher into place under the countertop. The mounting brackets have several available attachment positions to accommodate different cabinet constructions.

TOP MOUNTING OPTION

Install mounting brackets on top if the underside of countertop is wood or wood-like material that accepts screws:

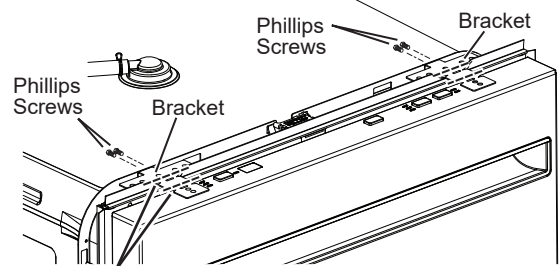
IMPORTANT - After installing brackets and before closing dishwasher door, adjust the brackets by bending them up as needed, so that they do not contact the top of dishwasher door and cause damage.

Top Mounting for 18” Models Only



Bend and break at cutout slots in brackets (if/as necessary) on both sides after installing if counter has a short overhang.

Top Mounting for 24” Models Only



Bend and break at cutout slots in brackets (if/as necessary) on both sides after installing if counter has a short overhang.

- If you are installing the dishwasher under a counter with a short overhang, the countertop brackets may extend beyond the edge of the counter. If this is the case, remove the excess length by repeatedly bending the brackets at the front notch only until they break.

Dishwasher Installation

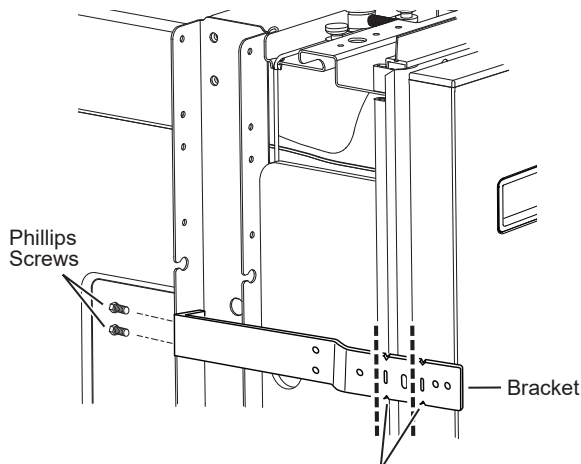
STEP 9 INSTALL MOUNTING BRACKETS (CONT.)

SIDE MOUNTING OPTION

Install mounting brackets on sides if the countertop is granite or similar material that will not accept wood screws:

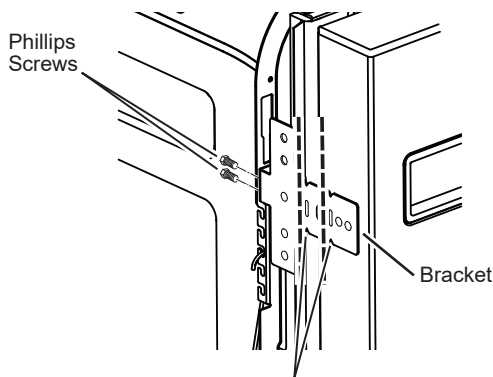
- Break off front portion of the tab with pliers at the location shown, prior to attaching to dishwasher.
- Position the left-hand side bracket as shown. Repeat with the right bracket.

Side Mounting for 18" Models Only



Bend and break at cutout slots in brackets (if/as necessary) on both sides before installing.

Side Mounting for 24" Models Only



Bend and break at cutout slots in brackets (if/as necessary) on both sides before installing.

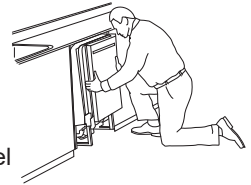
STEP 10 SLIDE DISHWASHER PARTIALLY INTO CABINET

IMPORTANT – Do not push against front panel with knees. Damage will occur.

- Grasp the sides of the front panel and slide dishwasher into the opening a few inches at a time.



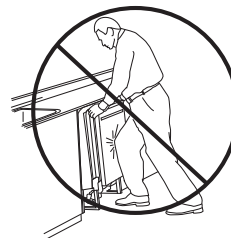
Do not push against front door panel with knee. Damage to the door panel will occur.



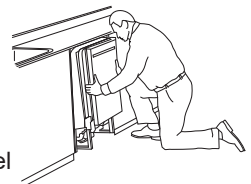
- As you proceed, pull the drain hose through the opening under the sink. Stop pushing when the dishwasher extends about 6 inches forward of adjacent cabinets.
- Make sure drain hose is not kinked under or behind the dishwasher.
- Make certain the house wiring, drain line and water line do not interfere with components under dishwasher.

STEP 11 POSITION DISHWASHER UNDER COUNTERTOP

- Push the dishwasher into the cabinet.
- Push the sides with your hands. Do not use your knee against the door since door damage will occur.



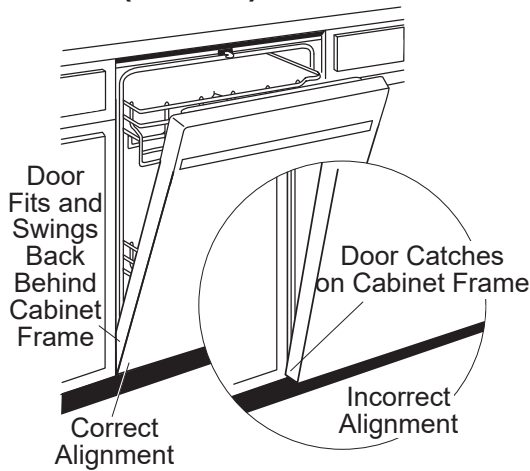
Do not push against front door panel with knee. Damage to the door panel will occur.



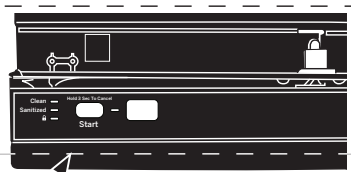
- Check that the tub insulation blanket does not get “bunched-up” or interfere with the springs as you slide it into the cabinet.
- Center the dishwasher in the opening.
- Front of door panel should be flush with face of cabinet.
- Carefully open and close the door to ensure that the door panel does not catch or rub on the cabinet frame.
- If the door catches or rubs on the frame, reposition and/or level the unit (see Step 14) until the door moves freely and does not contact the cabinet frame.

Dishwasher Installation

STEP 11 POSITION DISHWASHER UNDER COUNTERTOP (CONT.)



TOP VIEW



The controls on these models are designed to be hidden by your countertop. Align the dishwasher as shown in figure.

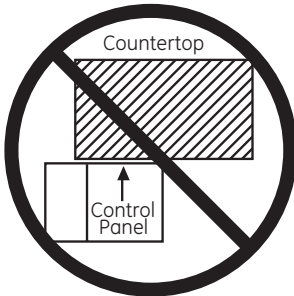
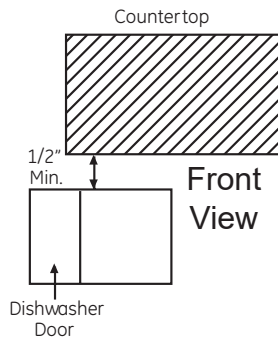
Leave a 1/2" minimum gap between the underside of the countertop and the top of the dishwasher door as shown in figure.

NOTE: If the drain hose gets trapped behind the unit it can prevent the controls from being hidden by the countertop.

Tip: The leveling legs can be used to increase or decrease the amount of gap between the controls and the countertop affecting the visibility of the controls.

IMPORTANT— Leave a 1/2" minimum gap between the controls and the underside of the countertop to prevent condensation and damage to the control panel from screwheads.

NOTE: If this dishwasher is replacing an existing dishwasher, the old countertop bracket screw holes may not be in the correct position to accept a top-control model. New holes may be required.



STEP 12 CONNECT WATER SUPPLY

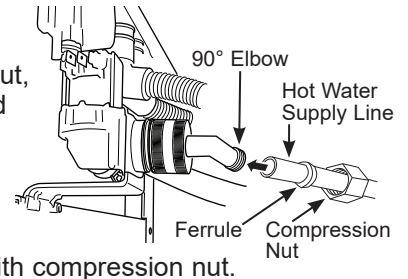
Connect water supply line to 90° elbow.

If using a flexible braided hose connection:

- Attach nut to 90° elbow using an adjustable wrench.

If using a copper tubing connection:

- Slide compression nut, then ferrule over end of water line.
- Insert water line into 90° elbow.
- Slide ferrule against 90° elbow and secure with compression nut.



STEP 13 CONNECT POWER SUPPLY

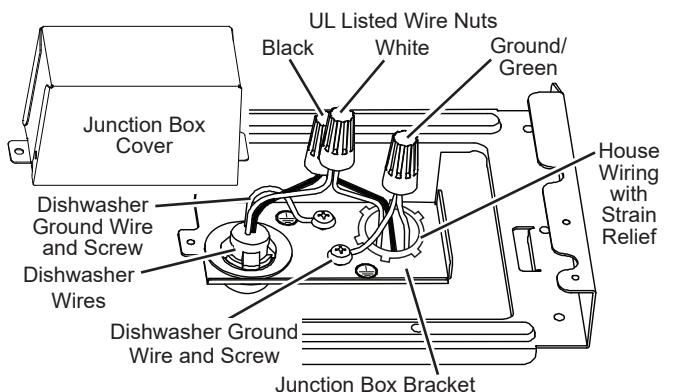
If a power cord with plug is already installed proceed to Step 14.

⚠ WARNING

If house wiring is not 2-wire with ground, a ground must be provided by the installer. When house wiring is aluminum, be sure to use UL-Listed anti-oxidant compound and aluminum-to-copper connectors.

- Remove junction box cover.
- Secure house wiring to the back of the junction box with a strain relief.
- Locate the 3 dishwasher wires, (white, black and green) with the stripped ends coming out of the AC jumper. Use UL listed wire nuts of appropriate size to connect incoming ground to green, white to white and black to black.
- Replace the junction box cover using the screw. Check to be sure that wires are not pinched under the cover.
- If using a Power Cord Kit, use GE Appliances part number **WX09X70910** or **WX09X70911** and refer to the included instructions.

NOTE: Do not remove the Junction Box Bracket.



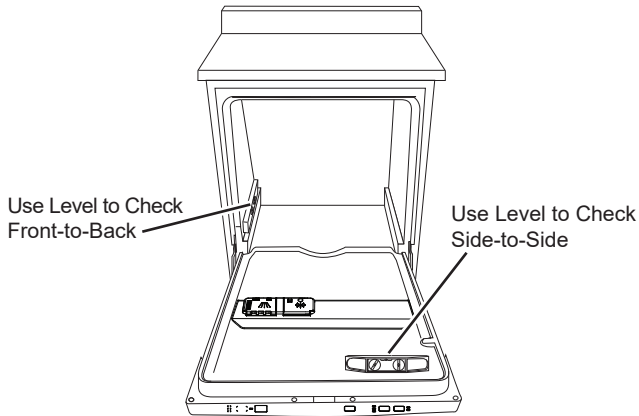
NOTE: All ground screws, brackets and wires must remain intact.

Dishwasher Installation

STEP 14 LEVEL DISHWASHER

IMPORTANT – Dishwasher must be level for proper dish rack operation, wash performance and door operation. The dishwasher must be leveled left to right and front to back.

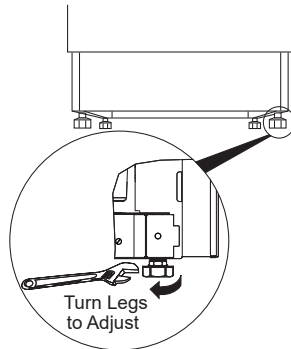
- Make sure 1/2" minimum gap under the countertop is maintained.
- Remove the lower dish rack and place a level on the door and lower rack track as shown in the figure.



- If the dishwasher is not level, adjust the four leveling legs individually.

Tip: Prevent unnecessary service charges. Verify dishwasher is leveled.

Pull the dish racks half way out. They should stay put. Open and close the door. The door should fit in the tub opening without hitting the side of the tub. If the racks roll on their own, or the door hits the side of tub, re-level the dishwasher.



IMPORTANT – After leveling, verify that the dishwasher is still in the correct position shown in Step 11.

STEP 15 SECURE DISHWASHER TO COUNTERTOP OR CABINET

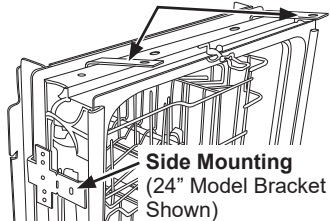
In this step you will need the 2 remaining Phillips Head screws from the screws set aside in the **PREPARATION** section.

The dishwasher must be secured to the countertop or the cabinet sides.

When the underside of the countertop is wood, use **Method 1 (Countertop Mounting)**.

Use **Method 2 (Side Mounting)** when the underside of the countertop is made of a material, such as granite, that will not accept wood screws.

Countertop Mounting
(18" Model Bracket Shown)



Side Mounting
(24" Model Bracket Shown)

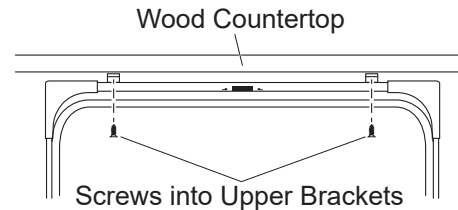
STEP 15 SECURE DISHWASHER TO COUNTERTOP OR CABINET (CONT.)

IMPORTANT – Prevent door panel and control panel damage. Dishwasher must be positioned so the front panel and control panel do not contact the adjacent cabinets or countertop. Mounting screws must be driven straight and flush. Protruding screw heads could scratch the door panel or control panel and interfere with door operation.

Method 1

Secure dishwasher to underside of wood countertop.

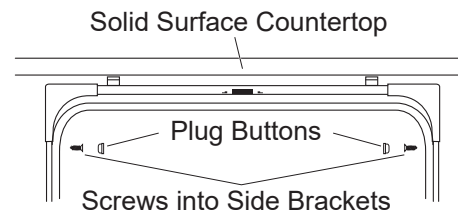
- Fasten the dishwasher to the underside of the countertop with the 2 Phillips head screws. Refer to figure. Make certain screws are driven straight and flush to prevent panel damage.



Method 2

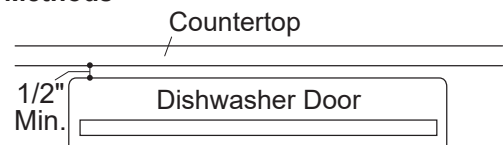
Secure dishwasher to cabinet sides.

- Remove plug buttons from tub. Do not discard.
- Fasten the dishwasher to the adjacent cabinets with the 2 Phillips-Head screws provided. Refer to the figure. Make certain screws are driven straight and flush to prevent panel damage. Do not screw into the cabinet face frame.
- Re-install plug buttons.



- Re-check that the dishwasher is square and level at both the top and bottom of the cabinet opening, with no twisting or distortion of the tub or door after mounting to the cabinets/countertop. Adjust if necessary.
- Confirm all leveling legs are in contact with the floor to prevent the dishwasher from rocking and ensure proper door and latch operation.

Both Methods



- When step is complete, close dishwasher door and verify that gap between countertop and top of dishwasher door is at least 1/2".

Dishwasher Installation

STEP 16 PRETEST CHECKLIST

Review this list after installing your dishwasher to avoid charges for a service call that is not covered by your Warranty.

- Check to be sure power is OFF.
- Open door and remove all foam and paper packaging.
- Locate the Owner's Manual.
- Read the Owner's Manual for operating instructions.
- Check door opening and closing. If door does not open and close freely, check for proper spring adjustments. If door drops or closes when released, adjust spring tension. See Step 1.
- Check to be sure that wiring is secure under the dishwasher, not pinched or in contact with door springs or other components. See Step 13.
- Check door alignment with tub. If door hits tub, level dishwasher. See Step 14.
- Check door alignment with cabinet. If door hits cabinet, reposition dishwasher. See Step 11.
- Check that door spring does not contact water line, fill hose, wiring or other components. See Steps 10 and 11.
- Verify water supply and drain lines are not kinked or in contact with other components. Contact with motor or dishwasher frame could cause noise. See Steps 10 and 11.
- Turn on the sink hot water faucet and verify water temperature. Incoming water temperature must be between 120°F and 140°F. A minimum of 120°F temperature is required for best wash performance. See "PREPARE HOT WATER LINE".
- Add 2 quarts of water to the bottom of the dishwasher to lubricate the pump seal.
- Turn on water supply. Check for leaks. Tighten connections if needed.
- Remove protective film if present from the control panel and door.
- Avoid service call charges by ensuring there is an air gap or drain hose routed through the required 32" minimum height. See Step 8.

STEP 17 CHECK THE FOLLOWING

- Dishwasher is square and level at both the top and bottom of the cabinet opening, with no twisting or distortion of the tub or door.
- All 4 legs of the dishwasher are firmly in contact with the floor.
- Drain hose is not pinched between the dishwasher and adjacent cabinets or walls.

STEP 18 DISHWASHER WET TEST

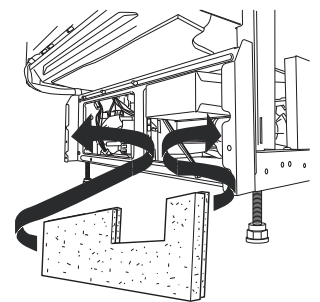
- Turn on power supply or plug power cord into outlet, if equipped.
- Select a cycle to run and push the **Start** button.

STEP 18 DISHWASHER WET TEST (CONT)

- Close dishwasher door. Dishwasher should start.
- Check to be sure that water enters the dishwasher. If water does not enter the dishwasher, check to be sure that water and power are turned on.
- Check for leaks under the dishwasher. If a leak is found, turn off power at the breaker, and then tighten water connections. Restore power after leak is corrected.
NOTE: A small amount of water may splash out of the fill funnel, on the right side of the tub, during the first use after installation. Splash-out is most likely to occur if there is air in the water supply line from new construction or if the valve has been closed for an extended time.
- Check for leaks around the door. A leak around the door could be caused by door rubbing or hitting against adjacent cabinets. Reposition the dishwasher if necessary. See Step 11.
- Open dishwasher door. Press and hold the **Start** pad, until the light next to the pad turns off, to cancel the cycle. Close dishwasher door. The unit will begin to drain. Check drain lines. If leaks are found, turn off power at the breaker and correct plumbing as necessary. Restore power after corrections are made. See Steps 7 and 8.
- Open dishwasher door and make sure all of the water has drained. If not, check that disposer plug has been removed and/or air gap is not plugged. Also check drain hose to be sure it is not kinked underneath or behind dishwasher. See Step 8.
- Press **Start** button once again and run dishwasher through another cycle. Check for leaks and correct if required.
- Repeat these steps as necessary.

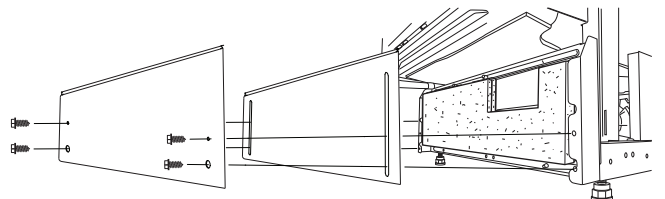
STEP 19 REPLACE TOEKICK

- Install toekick insulation (18" models only) by placing ends of insulation in left and right brackets. Insulation should be installed up under tub.
- Place the inner toekick piece (with slots) against the toekick bracket. The slots should align with toekick.



Tip: Reduce sound from under the dishwasher. Make sure toekick is against floor.

- Place larger toekick over the inner piece and install 4 toekick screws.
- Use both toekick pieces for all installation heights.





GE APPLIANCES

Directives d'installation

Lave-vaisselle encastré

Pour toute question, composez le 800.561.3344 ou visitez notre site web: www.electromenagersge.ca

AVANT DE COMMENCER

Veillez lire attentivement toutes les directives qui suivent.

▲ AVERTISSEMENT

- Avant de commencer l'installation, coupez toute alimentation menant de l'appareil au disjoncteur ou au fusible. Dans le cas contraire, vous pourriez être victime d'une décharge électrique.
- Pour réduire les risques de choc électrique, d'incendie ou de blessures, l'installateur doit s'assurer que le lave-vaisselle est complètement encastré au moment de l'installation.
- Un branchement inadéquat du conducteur de mise à la terre peut présenter des risques de choc électrique. Si vous n'êtes pas certain que l'appareil est correctement mis à la terre, consultez un réparateur ou un électricien qualifié. Si le câblage électrique de la résidence n'est pas constitué de deux fils plus un fil de mise à la terre, l'installateur doit installer un fil de mise à la terre. Si le câblage électrique de la résidence est en aluminium, utilisez un agent antioxydant et des connecteurs pour raccords «aluminium-cuivre» homologués UL.
- Pour réduire les risques de choc électrique, d'incendie ou de blessures, l'installateur doit vérifier pour s'assurer que les fils ne sont pas pliés ou en dommages, que le câblage domestique est fixé au support de boîte de connexion par l'entremise d'un serre-câble et que toutes les connexions électriques faites au moment de l'installation (capuchons de connexion) se trouvent à l'intérieur du couvercle de la boîte de connexion.
- N'utilisez pas une rallonge électrique ou un adaptateur de fiche avec cet appareil.

- Laissez le Manuel d'utilisation, les directives d'installation, les échantillons et(ou) les bons au consommateur.

NOTE: Chez GE Appliances, nous nous efforçons continuellement d'améliorer les produits. Par conséquent, les matériaux, l'aspect et les caractéristiques sont assujettis à des changements sans préavis.

POUR VOTRE SÉCURITÉ

Veillez lire et observer toutes les mises en garde **AVERTISSEMENT** et **ATTENTION** données dans les présentes directives.

Pour effectuer l'installation décrite dans les présentes directives, il faut porter des gants ou des lunettes de sécurité.

IMPORTANT – Observez tous les codes et ordonnances en vigueur.

- **Note à l'installateur** – Veillez laisser les présentes directives au consommateur pour l'inspecteur local.

- **Note au consommateur** – Veillez conserver les présentes directives avec votre Manuel d'utilisation pour consultation ultérieure.

- **Compétences requises** – L'installation de ce lave-vaisselle exige des compétences de base en mécanique, en électricité et en plomberie.

L'installateur est responsable de la qualité de l'installation. Toute défaillance du produit attribuable à une installation inadéquate n'est pas couverte par la Garantie de GE Appliances. Reportez-vous à la Garantie du produit.

- **Durée de l'installation – Entre 1 et 3 heures.**

L'installation d'un nouveau lave-vaisselle exige plus de temps que le remplacement d'un ancien modèle.

IMPORTANT – Le lave-vaisselle **DOIT** être installé de manière à ce qu'il puisse être sorti de son emplacement si des réparations sont nécessaires.

Il importe d'user de prudence lorsque l'appareil est installé ou déplacé afin de prévenir l'endommagement du cordon d'alimentation.

Si le lave-vaisselle que vous avez reçu est endommagé, communiquez immédiatement avec votre détaillant ou l'entrepreneur en construction.

Accessoires facultatifs – Reportez-vous au Manuel d'utilisation pour connaître les ensembles pour panneau décoratif personnalisés offerts.

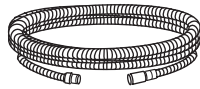
Votre lave-vaisselle est un appareil qui chauffe l'eau.

**VEUILLEZ LIRE ATTENTIVEMENT
CONSERVER CES DIRECTIVES**

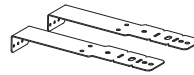
Préparation pour l'installation

PIÈCES FOURNIES DANS L'EMBALLAGE:

- L'extension du boyau de vidange
- Collier à vis sans fin
- 2 Supports de montage pour comptoir en bois ou armoires latérales (**REMARQUE** : Utilisez les supports appropriés pour la largeur de votre modèle, comme illustré.)
- Isolant de plinthe (18 po modèles seulement)
- 6 Vis à tête Phillips pour fixer le lave-vaisselle au dessous du comptoir ou armoires latérales
- Documentation, échantillons et(ou) bons

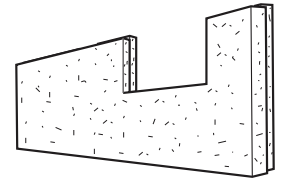


L'extension du boyau de vidange

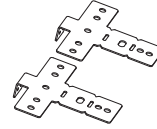


Supports de montage (18 po modèles seulement)

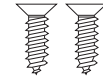
Isolant de plinthe (18 po modèles seulement)



Collier à vis sans fin



Supports de montage (24 po modèles seulement)



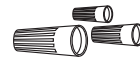
Vis à tête Phillips



Documentation

MATÉRIAUX NÉCESSAIRES:

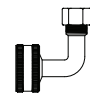
- Connecteurs vissables homologués UL (3)
- Ruban pour joints filetés
- Coude de 90° (19,1 mm [3/4 po] filet pour tuyau d'arrosage de jardin à une extrémité et l'autre extrémité conçue pour le raccordement à la conduite d'alimentation en eau)



Connecteurs vissables (3)



Ruban pour joints filetés



Coude de 90°

Pour une nouvelle installation:

- Coupure anti-refoulement pour le boyau de vidange, si nécessaire
- Raccord en T pour la plomberie de la résidence, s'il y a lieu
- Câble électrique ou Trousse de cordon d'alimentation **WX09X70910** (5,4 pi) ou **WX09X70911** (7,9 pi) en fonction de votre installation.
- Collier(s) à vis sans fin
- Bague anti-traction pour le raccordement électrique
- Robinet d'arrêt (recommandé)
- Conduite d'eau chaude – 9,5 mm (3/8 po) minimum, tuyau en cuivre (incluant la bague et l'écrou à compression) ou la pièce **WX28X326** de GE Appliances, boyau métallique flexible.



Coupure anti-refoulement



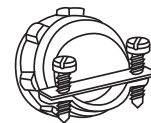
Raccord en T



Câble électrique (ou cordon d'alimentation, s'il y a lieu)



Collier(s) à vis sans fin



Bague anti-traction



Robinet d'arrêt



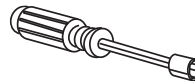
Conduite d'eau chaude, la bague et l'écrou à compression

OUTILS NÉCESSAIRES:

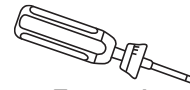
- Tournevis cruciforme
- Tournevis à douille de 5/16 po et 1/4 po
- Tournevis dynamométrique T25
- Clé à molette de 15 cm (6 po)
- Gants
- Lunettes de sécurité
- Lampe de poche
- Seau pour attraper l'eau lors de la purge du tuyau
- Niveau
- Ruban à mesurer
- Équerre de menuisier



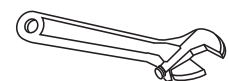
Tournevis cruciforme



Tournevis à douille de 5/16 po et 1/4 po



Tournevis dynamométrique T25



Clé à molette de 15 cm (6 po)



Gants



Lunettes de sécurité



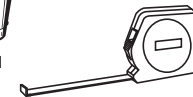
Lampe de poche



Seau



Niveau



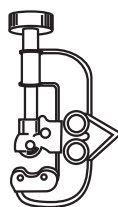
Ruban à mesurer



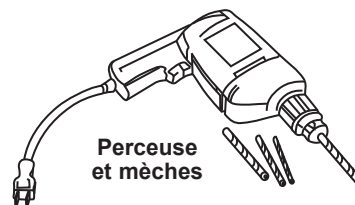
Équerre de menuisier

Pour une nouvelle installation:

- Coupe-tube
- Perceuse et mèches appropriées
- Jeu de scie-cloche



Coupe-tube



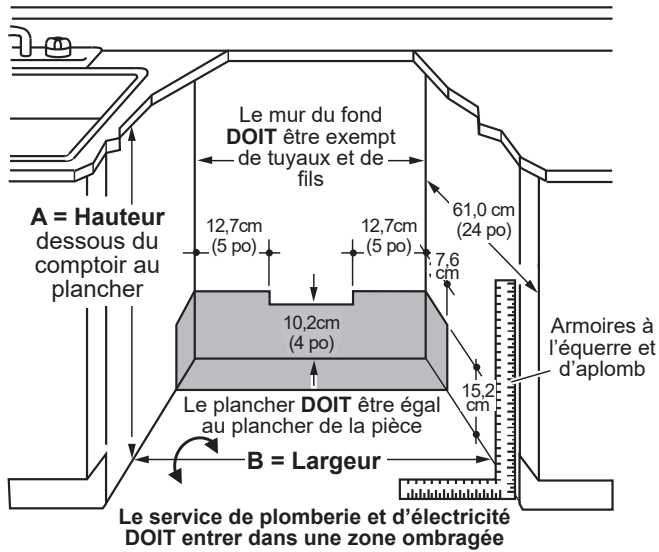
Perceuse et mèches



Scie-cloche

Préparation pour l'installation

PRÉPARATION DE L'OUVERTURE DANS LES ARMOIRES



	A	B
45,7cm (18po) Modèles seulement	82,6cm (32-1/2po) min.- 88,3cm (34-3/4po) max.	45,7cm (18po)
61cm (24po) Modèles seulement	82,2cm (32-3/8po) min.- 88,3cm (34-3/4po) max.	61cm (24po)

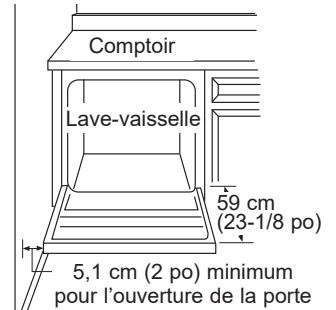
⚠ AVERTISSEMENT

Pour réduire les risques de choc électrique, d'incendie ou de blessures, l'installateur doit s'assurer que le lave-vaisselle est complètement encastré au moment de l'installation.

- Le lave-vaisselle doit être installé de façon à ce que le boyau de vidange mesure au maximum 3.66 mètres (12 pieds) pour assurer une vidange adéquate.
- Le dessus, les côtés et l'arrière du lave-vaisselle doivent être complètement dissimulés à l'intérieur de l'ouverture. Le lave-vaisselle ne doit soutenir aucune partie de la structure des armoires.

DÉGAGEMENTS:

- Dans le cas d'une installation dans un coin, veuillez prévoir un dégagement d'au moins 5,1 cm (2 po) entre le lave-vaisselle et les armoires, le mur ou un électroménager adjacent. Veuillez prévoir un dégagement d'au moins 59 cm (23-1/8 po) à l'avant du lave-vaisselle pour l'ouverture de la porte.



EXIGENCES RELATIVES AU SYSTÈME DE VIDANGE

- Veuillez observer les ordonnances et les codes locaux en vigueur.
- Le boyau de vidange doit avoir une longueur maximale de 3.66 mètres (12 pieds).
- Le boyau de vidange ne doit pas être raccordé à une hauteur dépassant 1,8 m (72 po) au-dessus du bas du lave-vaisselle.

REMARQUE: Il faut installer une coupure anti-refoulement si le raccord au broyeur à déchets ou au raccord en T se trouve à moins de 46 cm (18 po) au-dessus du plancher afin d'éviter un siphonage.

CHOIX DE LA MÉTHODE DE VIDANGE

Le type d'installation de vidange dépend des conditions suivantes.

- Les ordonnances ou codes locaux en vigueur exigent-ils une coupure anti-refoulement?
 - Le raccord T se trouve-t-il à moins de 46cm (18po) du plancher?
- Si vous répondez OUI à l'une ou l'autre de ces questions, vous DEVEZ utiliser la méthode n° 1.**
- Si vous répondez NON, vous pouvez employer l'une ou l'autre des méthodes.

PRÉPARATION DES ARMOIRES

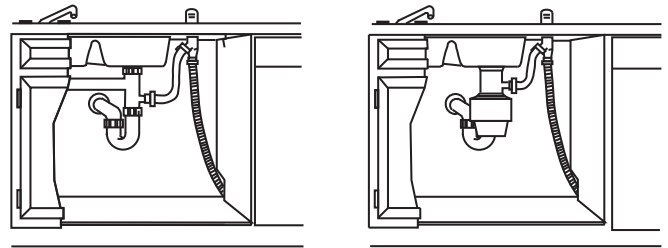
- Percez un trou de 3,8 cm (1-1/2 po) de diamètre dans la paroi de l'armoire qui se trouve dans la partie ombrée de la **PRÉPARATION DE L'OUVERTURE DANS LES ARMOIRES** pour le boyau de vidange. Assurez-vous que l'orifice ne présente pas d'arêtes vives.

IMPORTANT – Lorsque vous branchez le boyau de vidange à un broyeur à déchets, assurez-vous d'enlever le bouchon de vidange. **LE LAVE-VAISSELLE NE POURRA PAS SE VIDER SI VOUS LAISSEZ LE BOUCHON EN PLACE.**

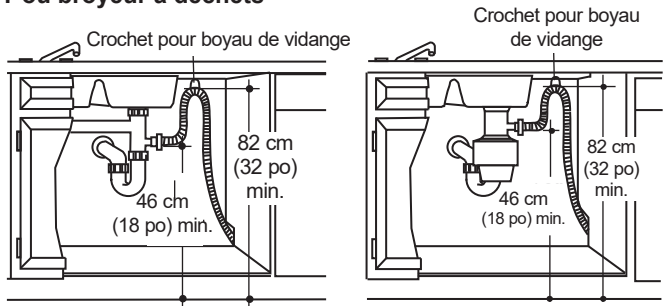


Méthode n° 1 – Coupure anti-refoulement avec raccord en T ou broyeur à déchets

Il faut installer une coupure anti-refoulement lorsqu'elle est exigée par les ordonnances et les codes locaux en vigueur. Cette coupure anti-refoulement doit être installée conformément aux directives données par le fabricant.



Méthode n° 2 – Boucle de vidange élevée avec raccord en T ou broyeur à déchets



Conseil: Pour éviter des frais de réparation inutiles.

Assurez-vous d'enlever le bouchon de vidange du broyeur à déchets avant d'y brancher le boyau de vidange du lave-vaisselle.

Préparation pour l'installation

PRÉPARATION DU CÂBLAGE ÉLECTRIQUE

⚠ AVERTISSEMENT

Avant de commencer l'installation, coupez toute alimentation menant de l'appareil au disjoncteur ou au fusible. Dans le cas contraire, vous pourriez être victime d'une décharge électrique.

ALIMENTATION ÉLECTRIQUE

Assurez-vous que le branchement électrique et le calibre du fil sont adéquats et conformes avec la version récente de la norme ANSI/NFPA 70, le Code national de l'électricité, tous les règlements et toutes les ordonnances de votre région.

L'alimentation électrique de cet appareil doit être :

- 120 V, 60 Hz, en courant alternatif seulement, avec un fusible de 15 ou 20 A.
- Le câble électrique doit posséder deux fils, plus un fil de mise à la terre, et résister à une température nominale de 75 °C (167 °F).
- Si votre alimentation électrique ne répond pas à ces exigences, appelez un électricien agréé avant de poursuivre l'installation.

Nous recommandons d'avoir :

- Un disjoncteur ou fusible temporisé.
- Un circuit de dérivation individuel mis à la terre approprié.

Mise à la terre – Branchement permanent

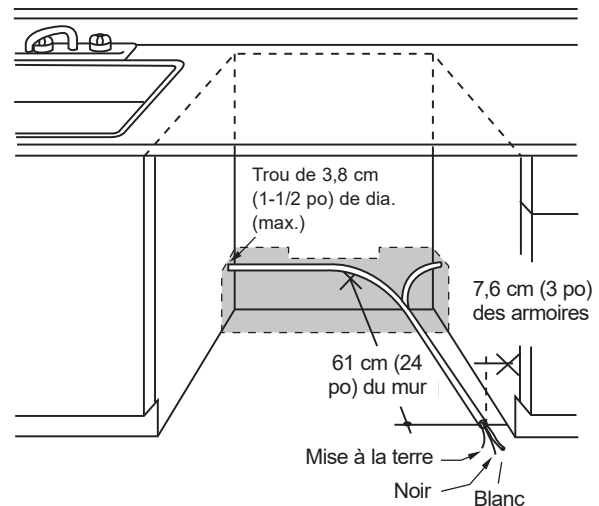
Cet appareil doit être branché à un réseau électrique permanent mis à la terre. Sinon, il faut installer un conducteur de mise à la terre avec les conducteurs du circuit et le brancher à la borne de mise à la terre du réseau ou au fil de mise à la terre de l'appareil.

Mise à la terre – Modèles dotés d'un cordon d'alimentation

Cet appareil doit être mis à la terre. En cas de mauvais fonctionnement ou de défaillance, la mise à la terre réduira les risques de choc électrique en fournissant au courant électrique un circuit de moindre résistance. Cet appareil est doté d'un cordon d'alimentation possédant un conducteur de mise à la terre et une fiche de mise à la terre. La fiche doit être branchée dans une mise appropriée, installée et mise à la terre en conformité avec tous les codes locaux et ordonnances en vigueur.

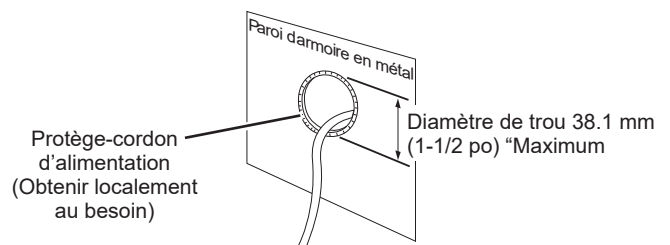
⚠ AVERTISSEMENT

Un branchement inadéquat du conducteur de mise à la terre peut présenter des risques de choc électrique. Si vous n'êtes pas certain que l'appareil est correctement mis à la terre, consultez un réparateur ou un électricien qualifié. Ne modifiez pas la fiche fournie avec l'appareil; si vous ne pouvez pas la brancher dans la prise de courant, faites installer une prise de courant appropriée par un technicien qualifié.



- Les fils peuvent entrer dans l'ouverture du côté droit, du côté gauche, de l'arrière ou du plancher dans la partie ombrée de la figure et de la section **PRÉPARATION DE L'OUVERTURE DANS LES ARMOIRES**.
- Percez un trou de 3,8 cm (1-1/2 po) de diamètre au maximum pour le passage du câble électrique. Le bord du trou doit être lisse et arrondi. Les fils électriques pour le branchement permanent peuvent passer par le même trou que le boyau de vidange et la conduite d'eau chaude, si c'est plus pratique. Si le trou est pratiqué dans une paroi en métal, les bords de l'orifice doivent être recouverts d'un passe-fils pour protéger les fils.

REMARQUE: Le cordon d'alimentation doté d'une fiche doit passer par un autre trou dans l'armoire.



Branchement électrique du lave-vaisselle

Le branchement électrique s'effectue du côté avant droit du lave-vaisselle.

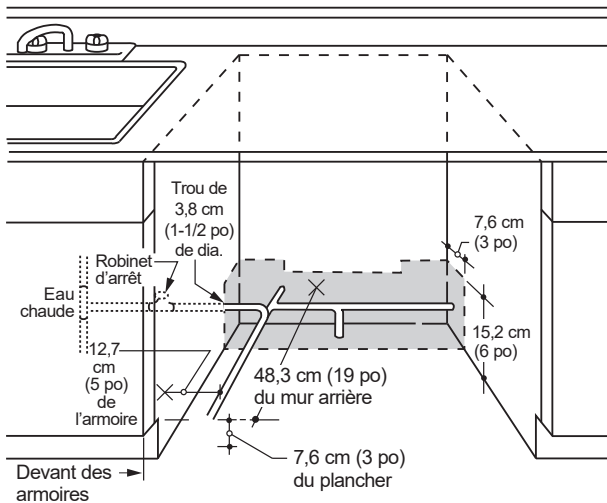
- Dans le cas d'un branchement permanent, le câble doit être acheminé de la façon indiquée à la figure. Le câble doit avoir une longueur minimale de 61 cm (24 po) à partir du mur arrière.
- Dans le cas d'un branchement avec un cordon d'alimentation, installez une prise de courant mise à la terre à trois broches sur la paroi de l'armoire adjacente, entre 15 cm (6 po) et 46 cm (18 po) de l'ouverture, et entre 15 cm (6 po) et 46 cm (18 po) du plancher.
- Utilisez uniquement **WX09X70910** (5,4 pi) ou **WX09X70911** (7,9 pi) Trousse de cordon d'alimentation pour lave-vaisselle. N'utilisez pas une rallonge électrique ou un adaptateur de fiche avec cet appareil.

Préparation pour l'installation

PRÉPARATION DE L'ALIMENTATION EN EAU CHAUDE

REMARQUE : GE Appliances recommande l'utilisation d'un tuyau en cuivre pour la conduite d'alimentation en eau, mais vous pouvez choisir un boyau flexible tressé no **WX28X326** de GE Appliances.

- La conduite d'alimentation en eau (tuyau de cuivre de 9,5 mm [3/8 po] ou boyau flexible tressé) peut entrer du côté gauche, du côté droit, de l'arrière ou du plancher dans la partie ombrée indiquée dans la figure.
- La conduite d'alimentation en eau doit passer dans le même trou que le câble électrique et le boyau de vidange. Ou vous pouvez percer un trou supplémentaire de 3,8 cm (1-1/2 po) de diamètre pour le passage de la conduite d'eau. Si l'appareil est doté d'un cordon d'alimentation pourvu d'une fiche, la conduite d'eau chaude ne doit pas passer par le même trou que le cordon d'alimentation.



RACCORDEMENT DE LA CONDUITE D'EAU CHAUDE

- Si vous utilisez un boyau flexible tressé, étiquetez le boyau et indiquez la date d'installation à des fins de référence. Les boyaux flexibles, coudés et joints tressés doivent être remplacés dans 5 ans.
- Coupez l'alimentation en eau.
- Installez un robinet d'arrêt à un endroit accessible, par exemple sous l'évier. (Cette installation est facultative, mais fortement recommandée, et peut même être exigée par les codes locaux en vigueur.)
- Le raccordement de la conduite d'eau s'effectue du côté gauche du lave-vaisselle. Installez la conduite d'eau chaude en utilisant un tuyau en cuivre de 9,5 mm (3/8 po) ou plus ou boyau flexible tressé. Acheminez la conduite d'eau de la façon indiquée dans la section **PRÉPARATION DE L'ALIMENTATION EN EAU CHAUDE** et amenez-la vers l'avant à au moins 48,2 cm (19 po) du mur arrière.
- Réglez le chauffe-eau à une température variant entre 49 °C (120 °F) et 65 °C (140 °F).
- Rincez la conduite d'eau pour éliminer tous les débris. Recueillez l'eau et les débris à l'aide d'un seau.
- La pression de la conduite d'alimentation en eau chaude doit varier entre 1,4 bar (20 lb/po²) et 8,3 bars (120 lb/po²).

PRÉPARATION

Prenez les pièces fournies dans l'emballage et mettez-les de côté :

- Ensemble de vis
- L'extension du boyau de vidange
- Supports de montage
- Documentation, échantillons et(ou) bons

Tournez la page pour commencer l'installation du lave-vaisselle.

Installation du lave-vaisselle

ÉTAPE 1 VÉRIFICATION DE L'ÉQUILIBRE DE LA PORTE

ATTENTION

Ouvrir la porte causera le basculement du lave-vaisselle vers l'avant si son installation n'est pas complètement terminée. Pour ouvrir la porte avant la finalisation de l'installation, agrippez le haut du lave-vaisselle fermement avec une main et tenir la porte de l'autre main. Le port de gants est nécessaire.

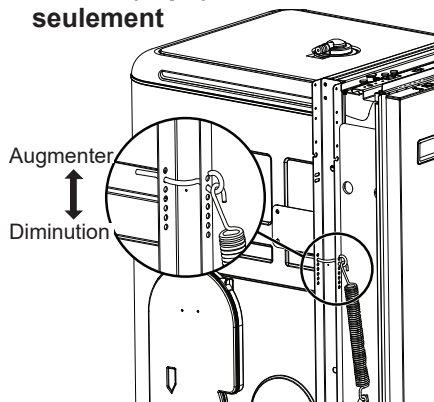


Pour vérifier l'équilibre de la porte, fermement maintenir le haut du lave-vaisselle.

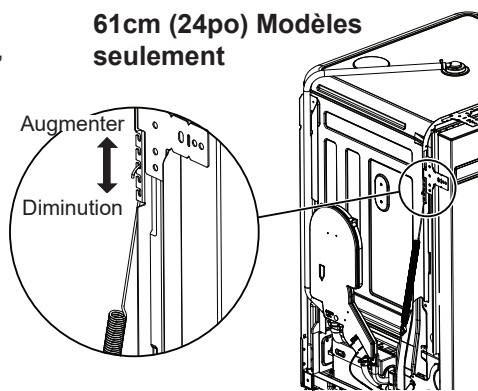
• Vérifiez l'équilibre de la porte en l'ouvrant et en la fermant.

• Si la porte tombe quand elle est relâchée, augmenter la tension du ressort. Si la porte monte quand elle est relâchée, diminuer la tension du ressort.

45,7cm (18po) Modèles seulement



61cm (24po) Modèles seulement



ÉTAPE 2 AJUSTER LES PIEDS DE NIVELLEMENT

- Amenez le lave-vaisselle à proximité de son emplacement définitif et couchez-le sur le dos. **REMARQUE** : Ne placez pas le lave-vaisselle sur un de ses côtés.
- Mesurer la hauteur d'installation et celle du lave-vaisselle. Étendre les pieds de mise à niveau de la base jusqu'à 12 mm (1/2 po) de la hauteur d'installation.

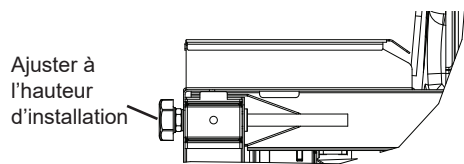
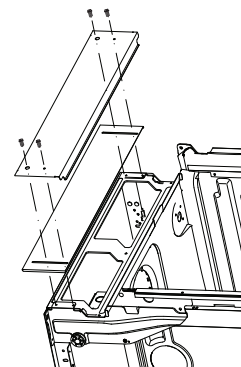


Illustration du pied de nivellement avec lave-vaisselle reposant sur sa face arrière

ÉTAPE 3 ENLÈVEMENT DU PANNEAU INFÉRIEUR

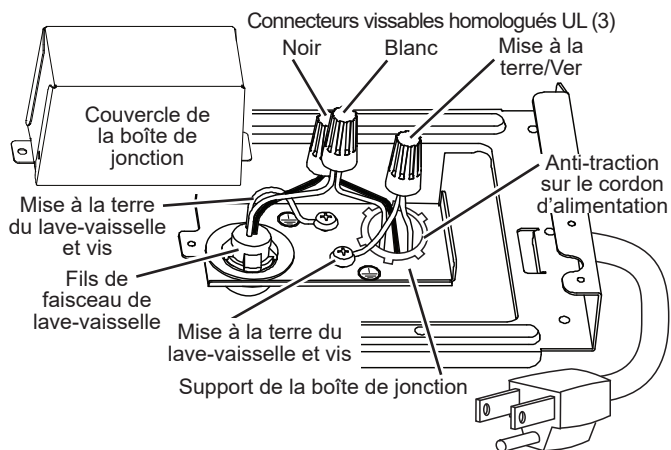
- Enlevez les deux vis du panneau inférieur, ainsi que le panneau inférieur 2 pièces. Mettez-les de côté pour les réutiliser à l'étape 19.



ÉTAPE 4 INSTALLATION DU CORDON D'ALIMENTATION

Sautez cette étape si le lave-vaisselle est branché de façon permanente au circuit électrique de la résidence ou s'il est doté d'un cordon d'alimentation installé à l'usine.

- Le cordon d'alimentation et les raccordements doivent être conformes aux exigences de la section 422 du National Electrical Code des É.-U. et/ou aux ordonnances et aux codes locaux en vigueur. Le cordon d'alimentation doit avoir une longueur maximale de 1,8 m (6 pi). Le cordon d'alimentation n° **WX09X70910** ou **WX09X70911**, que vous pouvez vous procurer auprès d'un détaillant autorisé d'électroménagers GE Appliances, répond à cette exigence.

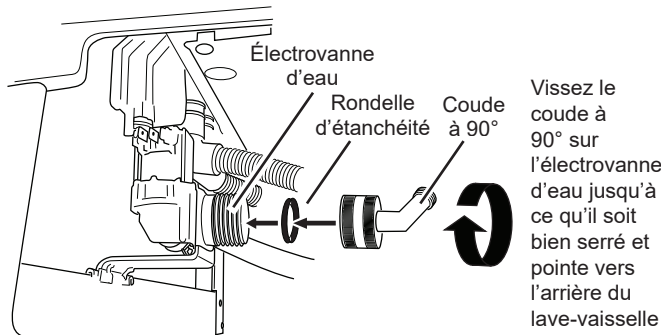


- Retirer le couvercle de la boîte de jonction.
- Installez la bague anti-traction sur le support de la boîte de jonction.
- Faites passer le cordon d'alimentation dans la bague anti-traction, puis serrez la bague.
- Assurez-vous que les fils noir, blanc et vert du lave-vaisselle ont été passés dans le petit trou du support de la boîte de jonction.
- Raccordez le fil blanc (ou nervuré) du cordon d'alimentation au fil blanc du lave-vaisselle, le fil noir (ou lisse) au fil noir du lave-vaisselle, et le fil de mise à la terre au fil vert du lave-vaisselle. Utilisez des connecteurs vissables homologués UL de la grosseur appropriée.
- Remplacez le couvercle de la boîte de jonction à l'aide de la vis. Assurez-vous que les fils ne sont pas coincés sous le couvercle.

Installation du lave-vaisselle

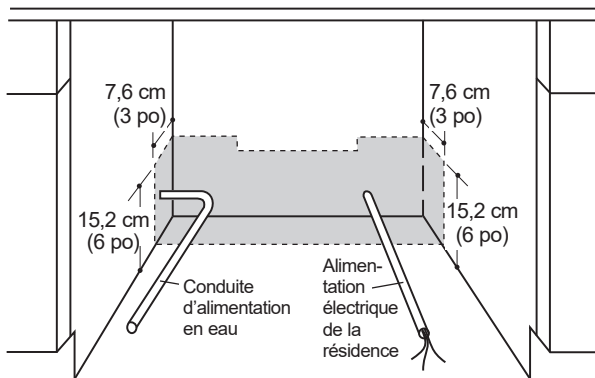
ÉTAPE 5 INSTALLATION DU COUDE DE 90°

- Assurez-vous que le joint d'étanchéité en caoutchouc se situe entre l'électrovanne et le coude.
- Vissez le coude de 90° dans l'électrovanne.
- Ne serrez pas le coude de façon excessive; le support de l'électrovanne pourrait se déformer ou le raccord de l'électrovanne pourrait se casser.
- Tournez l'extrémité du coude pour qu'il pointe vers l'arrière du lave-vaisselle.



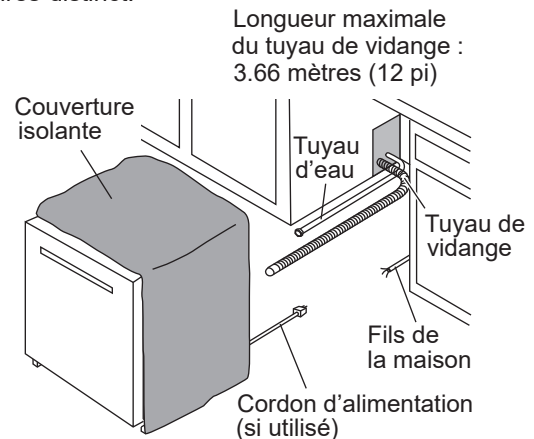
ÉTAPE 6 POSITIONNEMENT DE LA CONDUITE D'EAU ET DE L'ALIMENTATION ÉLECTRIQUE

- Positionnez la conduite d'alimentation en eau et le câblage de la résidence sur le plancher de l'ouverture afin qu'ils n'entrent pas en contact avec la base du lave-vaisselle et les pièces sous l'appareil.



ÉTAPE 7 INSERTION DU BOYAU DE VIDANGE DANS L'ORIFICE DE L'ARMOIRE

- Placez le lave-vaisselle en position droite devant l'ouverture de l'armoire. Insérez le boyau de vidange dans l'orifice que vous avez précédemment percé dans la paroi des armoires. Si l'appareil est doté d'un cordon d'alimentation, faites passer l'extrémité du cordon dans un l'ouverture dans les armoires distinct.



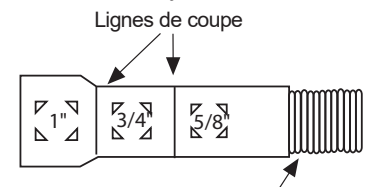
Conseil: Pour éviter des frais de réparation inutiles pour des problèmes de remplissage, de vidange ou de bruit.

Placez la conduite d'eau et le câble électrique de manière à ce qu'ils n'entrent pas en contact avec quoi que ce soit à l'arrière ou en dessous du lave-vaisselle.

ÉTAPE 8 RACCORDEMENT DU BOYAU DE VIDANGE

L'extrémité moulée du boyau de vidange est conçue pour s'installer sur l'orifice d'entrée d'un diamètre variant entre 15,8 mm (5/8 po) et 25,4 mm (1 po) de la coupure anti-refoulement, du raccord en T ou du broyeur à déchets.

- Mesurez le diamètre de l'orifice d'entrée.
- Coupez le raccord du boyau de vidange à l'endroit indiqué, au besoin, pour qu'il soit bien adapté à l'orifice d'entrée.



IMPORTANT: NE coupez pas la partie ondulée du boyau

- Utilisez la rallonge du boyau de vidange fournie et raccordez-la directement sur la boucle de vidange déjà fixée à l'appareil. Fixez le raccordement au boyau fourni à l'aide de colliers de serrage.



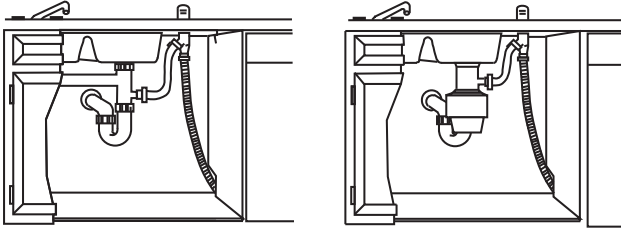
- **LE BOYAU DE VIDANGE NE DOIT PAS ÊTRE RACCORDÉ À UNE HAUTEUR DÉPASSANT 1,8 m (72 po) AU-DESSUS DU BAS DU LAVE-VAISSELLE.**
- **POUR UNE VIDANGE ADÉQUATE DE L'APPAREIL, LA LONGUEUR TOTALE DU BOYAU DE VIDANGE NE DOIT PAS DÉPASSER 3,66 MÈTRES (12 PIEDS).**

Installation du lave-vaisselle

ÉTAPE 8 RACCORDEMENT DU BOYAU DE VIDANGE (SUITE)

- Branchez le boyau de vidange à la coupure anti-refoulement, au raccord en T ou au broyeur à déchets à l'aide de la méthode choisie précédemment. Fixez solidement le boyau à l'aide d'un collier à vis sans fin.

Méthode n° 1 – Coupure anti-refoulement avec raccord en T ou broyeur à déchets

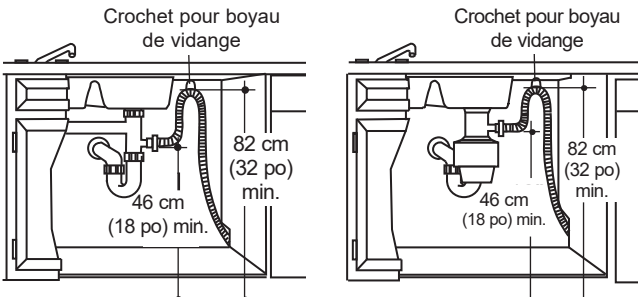


Installation avec raccord en T

Installation avec broyeur à déchets

Méthode n° 2 – Boucle de vidange élevée avec raccord en T ou broyeur à déchets

Fixez le boyau de vidange au-dessous du comptoir à l'aide d'un crochet.

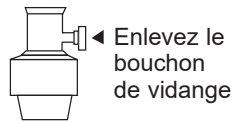


Installation avec raccord en T

Installation avec broyeur à déchets

IMPORTANT – Il faut utiliser l'une des deux méthodes précédentes pour assurer le fonctionnement correct du lave-vaisselle.

IMPORTANT – Lorsque vous raccordez le boyau de vidange à un broyeur à déchets, assurez-vous d'enlever le bouchon de vidange. **LE LAVE-VAISSELLE NE SE VIDERA PAS SI LE BOUCHON EST LAISSÉ EN PLACE.**



Enlevez le bouchon de vidange

Conseil: Pour éviter les frais de réparation inutiles pour un problème de vidange.

Tirez sur le boyau de vidange par l'ouverture pratiquée dans les armoires afin d'empêcher le lave-vaisselle d'écraser ou de plier une longueur excessive de boyau.

ÉTAPE 9 INSTALLATION DES SUPPORTS DE MONTAGE

Vous aurez besoin des supports de montage et de quatre (4) des vis à tête étoilée mises de côté dans la section **PRÉPARATION**.

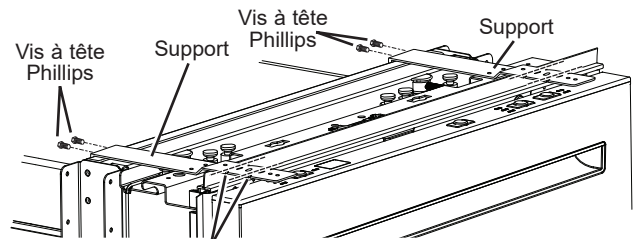
Vous devez installer les supports de montage sur le dessus OU les côtés du cadre de la cuve du lave-vaisselle avant de glisser le lave-vaisselle en place sous le comptoir. Les supports de montage sont dotés de plusieurs positions de fixation pour convenir à différentes configurations d'armoires.

OPTION DU MONTAGE SUR LE DESSUS

Installez les supports de montage sur le dessus si le dessous du comptoir est en bois ou dans un matériau similaire qui accepte les vis :

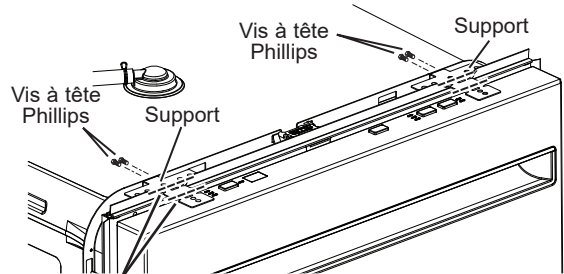
IMPORTANT - Après l'installation des supports et avant la fermeture de la porte du lave-vaisselle, ajustez les supports en les courbant vers le haut au besoin, de façon qu'ils ne touchent pas au dessus de la porte du lave-vaisselle et n'endommagent celle-ci.

Montage sur le dessus pour les modèles 18 po seulement



Courbez et cassez les supports des deux côtés à l'emplacement de leurs fentes de découpage (selon la nécessité) après l'installation si le surplomb du comptoir est court.

Montage sur le dessus pour les modèles 24 po seulement



Courbez et cassez les supports des deux côtés à l'emplacement de leurs fentes de découpage (selon la nécessité) après l'installation si le surplomb du comptoir est court.

- Si vous installez le lave-vaisselle sous un comptoir dont le surplomb est court, les supports de comptoir peuvent se prolonger au-delà des bords du comptoir. Dans ce cas, supprimez la longueur excédentaire en courbant à répétition les supports à l'encoche frontale seulement jusqu'à ce qu'ils cassent.

Installation du lave-vaisselle

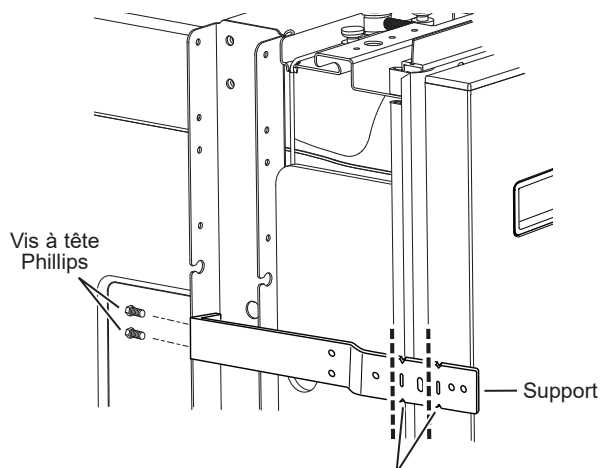
ÉTAPE 9 INSTALLATION DES SUPPORTS DE MONTAGE (SUITE)

OPTION DE MONTAGE SUR LES CÔTÉS

Installez les supports de montage sur les côtés si le comptoir est en granit ou un matériau similaire qui n'acceptera pas les vis à bois :

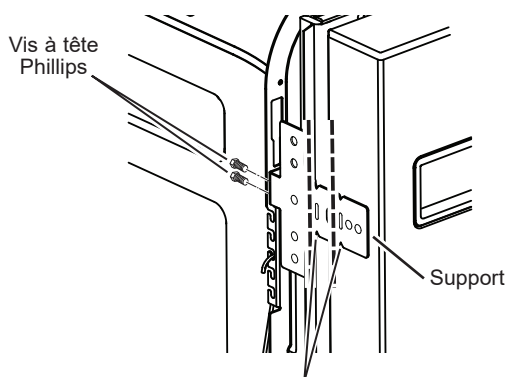
- Cassez la partie frontale de la languette avec une pince à l'endroit indiqué avant de fixer au lave-vaisselle.
- Placez le support de gauche comme illustré. Répétez pour le support de droite.

Montage sur les côtés pour les modèles de 18 po seulement



Courbez et cassez les supports des deux côtés à l'emplacement de leurs fentes de découpage (selon la nécessité) avant l'installation.

Montage sur les côtés pour les modèles de 24 po seulement

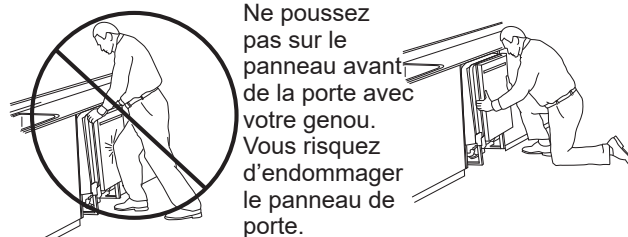


Courbez et cassez les supports des deux côtés à l'emplacement de leurs fentes de découpage (selon la nécessité) avant l'installation.

ÉTAPE 10 INSERTION DU LAVE-VAISSELLE PARTIELLEMENT DANS L'OUVERTURE

IMPORTANT – Ne poussez pas sur le panneau avant avec vos genoux. Vous pourriez endommager l'appareil.

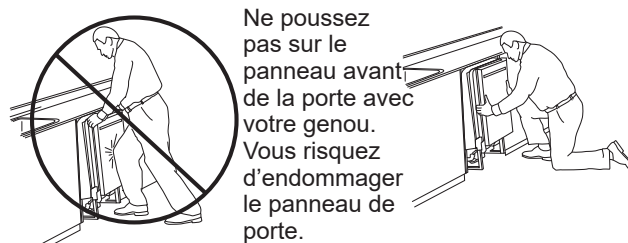
- Saisissez le panneau avant de l'appareil par les côtés et faites glisser le lave-vaisselle dans l'ouverture de quelques centimètres ou pouces à la fois.



- Tirez sur le boyau de vidange et le cordon d'alimentation, s'il y a lieu, par les trous des armoires adjacentes au fur et à mesure. Arrêtez lorsque le lave-vaisselle dépasse le devant des armoires adjacentes d'environ 15 cm (6 po).
- Assurez-vous que le boyau de vidange n'est pas plié à l'arrière ou en dessous du lave-vaisselle.
- Assurez-vous que le câble électrique de la résidence, le boyau de vidange et la conduite d'eau n'entrent pas en contact avec des pièces sous le lave-vaisselle.

ÉTAPE 11 MISE EN POSITION DU LAVE-VAISSELLE SOUS LE PLAN DE TRAVAIL

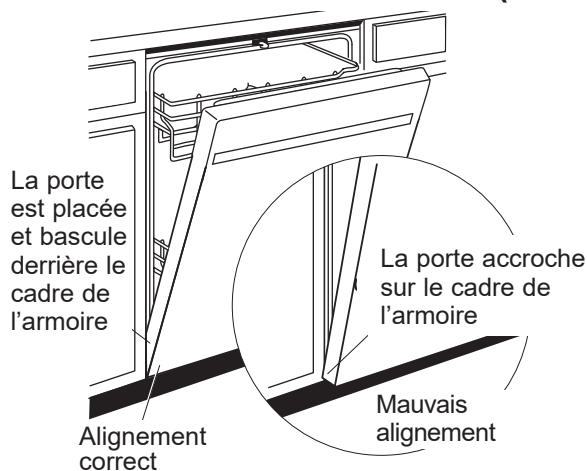
- Pousser le lave-vaisselle dans l'armoire.
- Pousser les côtés, avec les mains. Ne pas utiliser un genou contre la porte, car ceci endommage la porte.



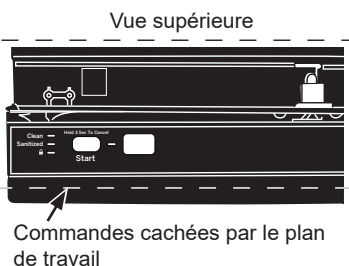
- Pendant la mise en place dans l'armoire, vérifier que la couverture isolante du bac n'est pas « rebroussée » et qu'elle n'interfère pas avec les ressorts.
- Centrer le lave-vaisselle dans l'ouverture.
- L'avant du panneau de porte doit être aligné sur le devant de l'armoire.
- Ouvrir et fermer avec soin la porte pour vérifier que le panneau de la porte n'accroche pas ou ne frotte pas sur le cadre de l'armoire.
- Si la porte accroche ou frotte sur le cadre, changer la position ou mettre l'appareil de niveau (Étape 14) jusqu'à ce que la porte se déplace librement et n'est pas en contact avec le cadre de l'armoire.

Installation du lave-vaisselle

ÉTAPE 11 MISE EN POSITION DU LAVE-VAISSELLE SOUS LE PLAN DE TRAVAIL (CONT.)



Les commandes de ces modèles sont conçues pour être cachées par le plan de travail. Aligner le lave-vaisselle comme illustré par la figure.



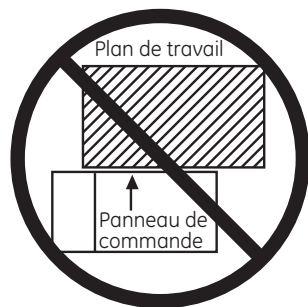
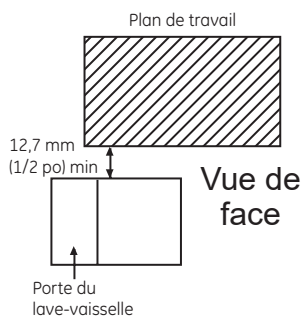
Laisser un dégagement d'au moins 12,7 mm (1/2 po) entre le dessous du plan de travail et le haut de la porte de l'appareil, tel illustré par la figure.

REMARQUE : Les commandes risquent de ne pas être cachées par le plan de travail si le tuyau de vidange se trouve piégé derrière l'appareil.

Conseil : Il est possible de régler les pieds de mise de niveau pour augmenter ou diminuer l'espace entre les commandes et le plan de travail, affectant la visibilité des commandes.

IMPORTANT – Laisser un dégagement d'au moins 12,7 mm (1/2 po) entre les commandes et le dessous du plan de travail pour prévenir la condensation et les dommages infligés au panneau de commande par les têtes de vis.

REMARQUE : Si ce lave-vaisselle remplace un lave-vaisselle existant, il est possible que les trous de vis de l'ancienne patte du plan de travail ne soient pas au bon endroit pour accepter un modèle à commandes en haut. Il peut être nécessaire de faire de nouveaux trous.



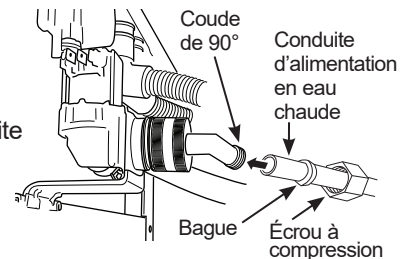
ÉTAPE 12 RACCORDEMENT DE L'ALIMENTATION EN EAU

Raccordez la conduite d'alimentation en eau au coude de 90°. Si vous décidez de faire le raccordement avec un boyau flexible tressé :

- Fixez le coude de 90° avec une clé à molette.

Si vous décidez de faire le raccordement avec un tuyau en cuivre :

- Glissez l'écrou à compression puis la bague d'extrémité à l'extrémité de la conduite d'alimentation en eau.
- Insérez la conduite d'alimentation en eau dans le coude de 90°.
- Glissez la bague d'extrémité contre le coude et fixez avec l'écrou à compression.



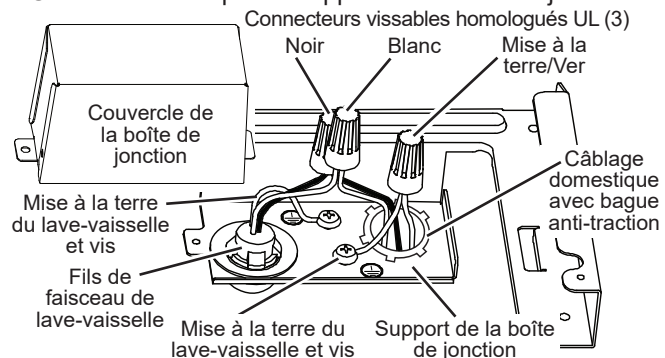
ÉTAPE 13 BRANCHEMENT DE L'ALIMENTATION

Si un cordon d'alimentation pourvu d'une fiche est déjà installé sur l'appareil, passez à l'étape 14.

AVERTISSEMENT Si le câblage électrique de la résidence n'est pas constitué de deux fils plus un fil de mise à la terre, l'installateur doit installer un fil de mise à la terre. Si le câblage électrique de la résidence est en aluminium, utilisez un agent antioxydant et des connecteurs pour raccords «aluminium-cuivre» homologués UL.

- Retirez le couvercle de la boîte de jonction.
- Fixez le câblage de la résidence à l'arrière de la boîte de jonction à l'aide d'une bague anti-traction.
- Repérez les trois (3) fils du lave-vaisselle, (blanc, noir et vert) avec les bouts dénudés dépassant des cavaliers CA. Utilisez les capuchons de connexion homologués UL de taille appropriée pour connecter le fil de terre arrivant au fil vert, le blanc au blanc et le noir au noir.
- Remplacer le couvercle de la boîte de jonction à l'aide de la vis. Assurez-vous que les fils ne sont pas coincés sous le couvercle.
- Si vous utilisez une trousse pour cordon d'alimentation, utiliser le numéro de partie GE Appliances **WX09X70910** ou **WX09X70911** et veuillez consulter les instructions fournies avec la trousse.

NOTE : N'enlevez pas le support de la boîte de jonction.



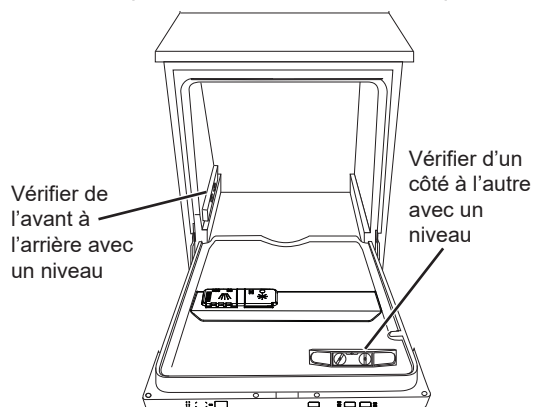
NOTE : Toutes les vis et tous les supports et les fils servant de mise à la terre doivent demeurer intacts.

Installation du lave-vaisselle

ÉTAPE 14 MISE DE NIVEAU DU LAVE-VAISSELLE

IMPORTANT – Le lave-vaisselle doit être de niveau pour assurer le bon fonctionnement des paniers et de la porte du lave-vaisselle et obtenir une bonne efficacité de lavage. Le lave-vaisselle doit être mis de niveau de gauche à droite, et de l'avant vers l'arrière.

- Veiller à maintenir un dégagement d'au moins 12,7 mm (1/2 po).
- Enlevez le panier inférieur et placez un niveau sur la porte et sur le rail du panier inférieur, comme indiqué à la figure.

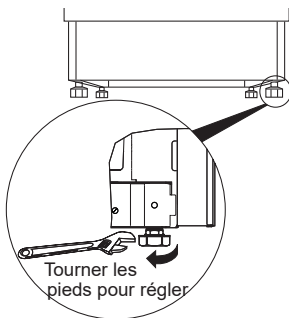


- Si l'appareil n'est pas à niveau, ajuster un par un les quatre pieds de mise à niveau.

Conseil: Pour éviter des frais de réparation inutiles, vérifiez si le lave-vaisselle est de niveau.

Sortez les paniers à moitié. Ils doivent demeurer immobiles. Ouvrez et fermez la porte. La porte doit être bien ajustée à l'ouverture de la cuve sans frotter sur les côtés. Si les paniers rentrent ou sortent tout seuls ou si la porte frotte contre les côtés de la cuve, remettez le lave-vaisselle de niveau.

IMPORTANT – Après la mise à niveau, contrôler que le lave-vaisselle se trouve toujours dans la position correcte indiquée à l'étape 11.



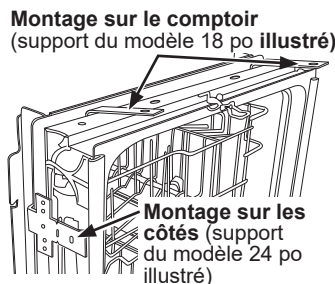
ÉTAPE 15 FIXATION DU LAVE-VAISSELLE AU-DESSOUS DU COMPTOIR OU AUX CÔTÉS DES ARMOIRES

Dans cette étape, vous aurez besoin des deux (2) vis à tête étoilée qui restent de celles mises de côté dans la section **PRÉPARATION**.

Le lave-vaisselle doit être fixé au comptoir ou aux côtés de l'armoire.

Lorsque le dessous du comptoir est en bois, utilisez la **Méthode 1** (montage sur le comptoir).

Utilisez la **Méthode 2** (montage sur les côtés) lorsque le dessous du comptoir est un matériau tel que le granit qui n'accepte pas les vis à bois.



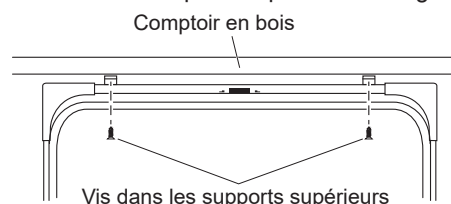
ÉTAPE 15 FIXATION DU LAVE-VAISSELLE AU-DESSOUS DU COMPTOIR OU AUX CÔTÉS DES ARMOIRES (SUITE)

IMPORTANT– Pour éviter tout dommage au panneau de la porte et au tableau de commande, il faut que le lave-vaisselle soit installé de manière que le panneau avant et le tableau de commande n'entrent pas en contact avec les armoires adjacentes ou le comptoir. Vissez les vis complètement et bien droites. Les têtes de vis qui dépassent pourraient égratigner le panneau de porte ou le tableau de commande et créer de l'interférence lors de l'ouverture de la porte.

Méthode n° 1

Fixation du lave-vaisselle au dessous d'un comptoir en bois.

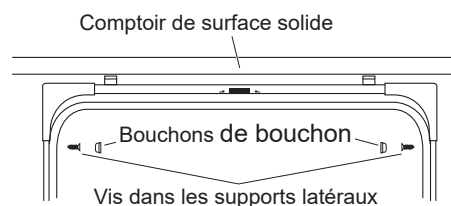
- Fixez le lave-vaisselle au dessous du comptoir à l'aide des deux vis à tête Phillips. Reportez-vous à la figure. Assurez-vous de visser complètement les vis bien droites afin que les têtes soient affleurantes pour ne pas endommager le panneau.



Méthode n° 2

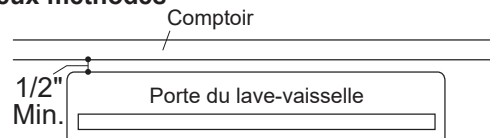
Fixation du lave-vaisselle aux côtés des armoires.

- Retirez les bouchons de la cuve. Conservez-les.
- Fixez le lave-vaisselle au dessous du comptoir à l'aide des deux vis à tête Phillips. Reportez-vous à la figure. Assurez-vous de visser complètement les vis bien droites afin que les têtes soient affleurantes pour ne pas endommager le panneau.
- Réinstallez les boutons de bouchon.



- Vérifiez une nouvelle fois que le lave-vaisselle est d'équerre et de niveau aussi bien dans le haut que dans le bas de l'ouverture d'armoire, sans torsion ni déformation de la cuve ou de la porte après le montage des armoires ou du comptoir. Procédez à un ajustement si nécessaire.
- Assurez-vous que tous les pieds de nivellement reposent fermement sur le plancher afin de prévenir le balancement du lave-vaisselle et garantir le bon fonctionnement de la porte et du loquet.

Les deux méthodes



- À la fin de l'étape, fermer la porte du lave-vaisselle et vérifier qu'il y a un dégagement d'au moins 12,7 mm (1/2 po) entre le plan de travail et le haut du lave-vaisselle.

Installation du lave-vaisselle

ÉTAPE 16 LISTE DE CONTRÔLE PRÉLIMINAIRE

Passez en revue cette liste après l'installation de votre lave-vaisselle pour éviter des frais de réparation inutiles non couverts par votre Garantie.

- Assurez-vous que le courant électrique est COUPÉ à la source.
- Ouvrez la porte du lave-vaisselle et enlevez tout le matériel d'emballage en carton et en mousse.
- Repérez le Manuel d'utilisation.
- Veuillez lire le Manuel d'utilisation pour vous familiariser avec le fonctionnement de l'appareil.
- Vérifiez l'ouverture et la fermeture de la porte. Si la porte n'ouvre pas et ne se ferme pas librement, vérifiez les ajustements de ressort appropriés. Si la porte s'ouvre complètement ou se ferme lorsque vous la relâchez, réglez la tension du ressort. Reportez-vous à l'étape 1.
- Assurez-vous que le câblage électrique est bien placé sous le lave-vaisselle, qu'il n'est pas coincé ou qu'il n'entre pas en contact avec les ressorts de la porte ou d'autres pièces de l'appareil. Reportez-vous à l'étape 13.
- Vérifiez si la porte est bien parallèle par rapport à la cuve. Si la porte frotte sur la cuve, mettez le lave-vaisselle de niveau. Reportez-vous aux étapes 14.
- Vérifiez si la porte du lave-vaisselle est bien parallèle par rapport aux armoires. Si la porte frotte contre les armoires, repositionnez le lave-vaisselle. Reportez-vous à l'étape 11.
- Assurez-vous que les ressorts de la porte n'entrent pas en contact avec la conduite d'alimentation, le boyau de remplissage, le câblage électrique ou toute autre pièce de l'appareil. Reportez-vous aux étapes 10 et 11.
- Assurez-vous que la conduite d'alimentation en eau et le boyau de vidange ne sont pas pliés ou n'entrent pas en contact avec d'autres pièces. Tout contact avec le moteur ou le cadre du lave-vaisselle pourrait provoquer l'apparition de bruits. Reportez-vous aux étapes 10 et 11.
- Ouvrez le robinet d'eau chaude de l'évier et vérifiez si la température de l'eau varie entre 49 °C (120 °F) et 60 °C (140 °F). La température de l'eau doit être d'au moins 49 °C (120 °F) pour assurer une efficacité de lavage optimale. Reportez-vous à la section «PRÉPARATION DE L'ALIMENTATION EN EAU CHAUDE».
- Versez 2 litres d'eau dans le fond du lave-vaisselle pour lubrifier le joint de la pompe.
- Ouvrez l'alimentation en eau chaude. Vérifiez s'il y a des fuites. Serrez les raccords au besoin.
- Enlevez la pellicule protectrice, s'il y a lieu, sur le tableau de commande et la porte.
- Éviter les frais de service en contrôlant qu'un dispositif anti-siphon ou un tuyau de vidange est installé à la hauteur minimale requise de 81 cm (32 po). Reportez-vous à l'étape 8.

ÉTAPE 17 VÉRIFIEZ LES POINTS SUIVANTS

- Le lave-vaisselle est d'équerre et de niveau par rapport au bas et au haut de l'ouverture de l'armoire, sans torsion ni déformation de la cuve ou de la porte.
- Les quatre (4) pieds reposent fermement sur le plancher.
- Le boyau de vidange n'est pas coincé entre le lave-vaisselle et les armoires ou les murs adjacents.

ÉTAPE 18 ESSAI DU LAVE-VAISSELLE AVEC DE L'EAU

- Rétablissez l'alimentation électrique ou si l'appareil est doté d'un cordon d'alimentation, branchez-le dans la prise de courant murale.
- Sélectionnez un cycle à exécuter et pressez la touche **Start**.
- Ferme la porte du lave-vaisselle. Le lave-vaisselle devrait démarrer.
- Assurez-vous que le lave-vaisselle se remplit. Si le lave-vaisselle ne se remplit pas d'eau, vérifiez si le robinet de la conduite est ouvert et si le lave-vaisselle est sous tension.
- Vérifiez s'il y a des fuites sous le lave-vaisselle. Si tel est le cas, coupez l'alimentation électrique en déclenchant le disjoncteur, serrez les raccords, puis rétablissez le courant.

REMARQUE : Une petite quantité d'eau peut être projetée hors de l'entonnoir de remplissage du côté droit de la cuve lors de la première utilisation. Cette projection survient habituellement en présence d'air dans la conduite d'eau d'une nouvelle construction ou si le robinet a été fermé pendant une longue période.

- Vérifiez s'il y a des fuites autour de la porte. Ces fuites peuvent être causées par le frottement de la porte du lave-vaisselle contre les armoires adjacentes. Repositionnez le lave-vaisselle au besoin. Reportez-vous à l'étape 11.
- Ouvrez la porte du lave-vaisselle. Maintenez enfoncée la touche **Start** (Démarrer) jusqu'à ce que le voyant près de la touche s'éteigne, pour annuler le cycle. Ferme la porte du lave-vaisselle. L'appareil commencera à se vidanger. Vérifiez le boyau de vidange. S'il présente des fuites, coupez l'alimentation électrique en déclenchant le disjoncteur et corrigez le problème de plomberie, au besoin. Rétablissez le courant après avoir colmaté la fuite. Reportez-vous aux étapes 7 et 8.
- Ouvrez la porte du lave-vaisselle et assurez-vous que la majeure partie de l'eau a été vidangée. Si l'appareil ne s'est pas vidé, assurez-vous que le bouchon de vidange du broyeur à déchets a été enlevé et(ou) que la coupure anti-refoulement est exempte de débris. Vérifiez également le boyau de vidange pour vous assurer qu'il n'est pas coincé en dessous ou à l'arrière du lave-vaisselle. Reportez-vous à l'étape 8.
- Appuyez sur la touche **Start** (Démarrer) une fois de plus et lancez le lave-vaisselle dans un autre cycle. Vérifiez l'absence de fuites et apportez des correctifs si nécessaire.
- Répétez ces étapes que nécessaire.

ÉTAPE 19 RÉINSTALLATION DU PANNEAU INFÉRIEUR

- Installez l'isolant de plinthe en plaçant les extrémités de l'isolant dans les supports de gauche et droite. L'isolant doit être installé vers le haut sous la cuve.
- Placer la pièce intérieure de la plinthe (munies de fentes) contre le support de plinthe. Aligner les fentes sur les trous de vis du support de plinthe. Laisser la plinthe contacter le sol.

Conseil: Pour atténuer le bruit provenant du dessous du lave-vaisselle. Assurez-vous que le panneau inférieur repose sur le plancher.

- Positionner la plus grande pièce au-dessus de la pièce intérieure et la fixer avec les quatre vis à plinthe.
- Toujours utiliser les deux pièces de la plinthe avec n'importe quelle hauteur d'installation.

