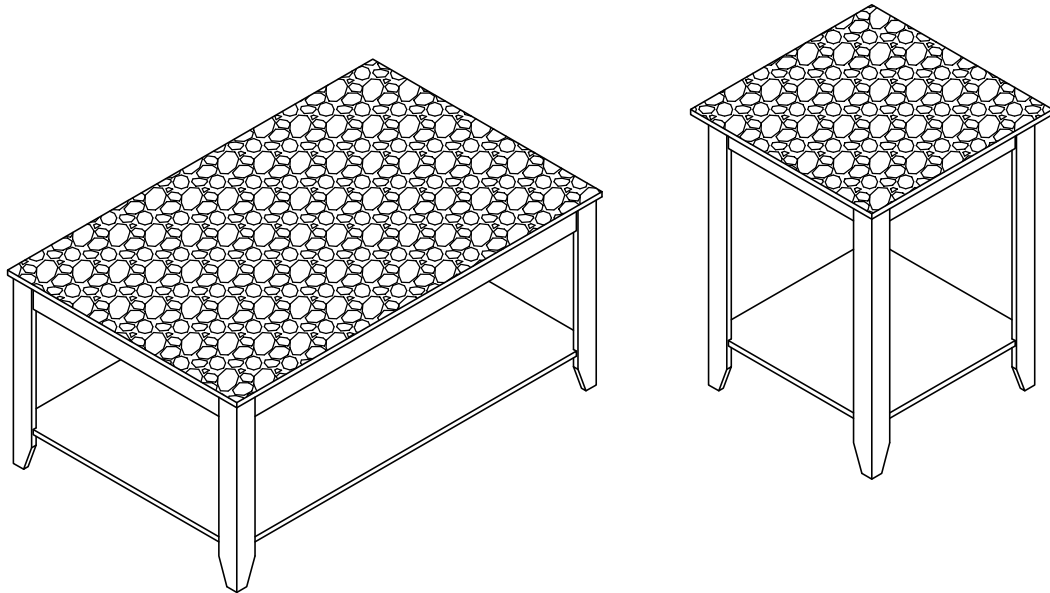


ASSEMBLY INSTRUCTIONS /  
INSTRUCTIONS D'ASSEMBLAGE

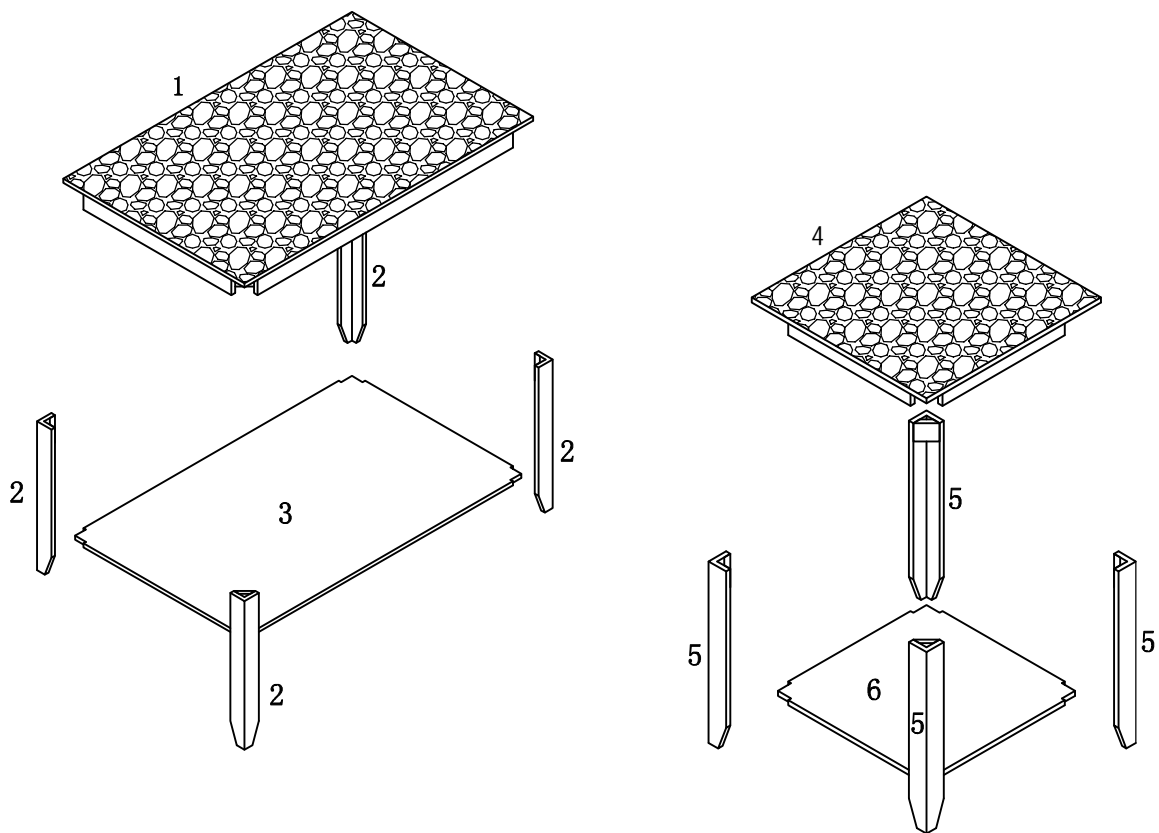
---

ITEM NO/NO ARTICLE: CARLT2PK/243272-X2



# PARTS IDENTIFICATIONS / IDENTIFICATION DES PIECES







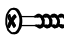

ITEM NO/NO ARTICLE: CARLT2PK/243272-X2



- (1) 1pc/pce
- (2) 4pc/pce
- (3) 1pc/pce
- (4) 1pc/pce
- (5) 4pc/pce
- (6) 1pc/pce

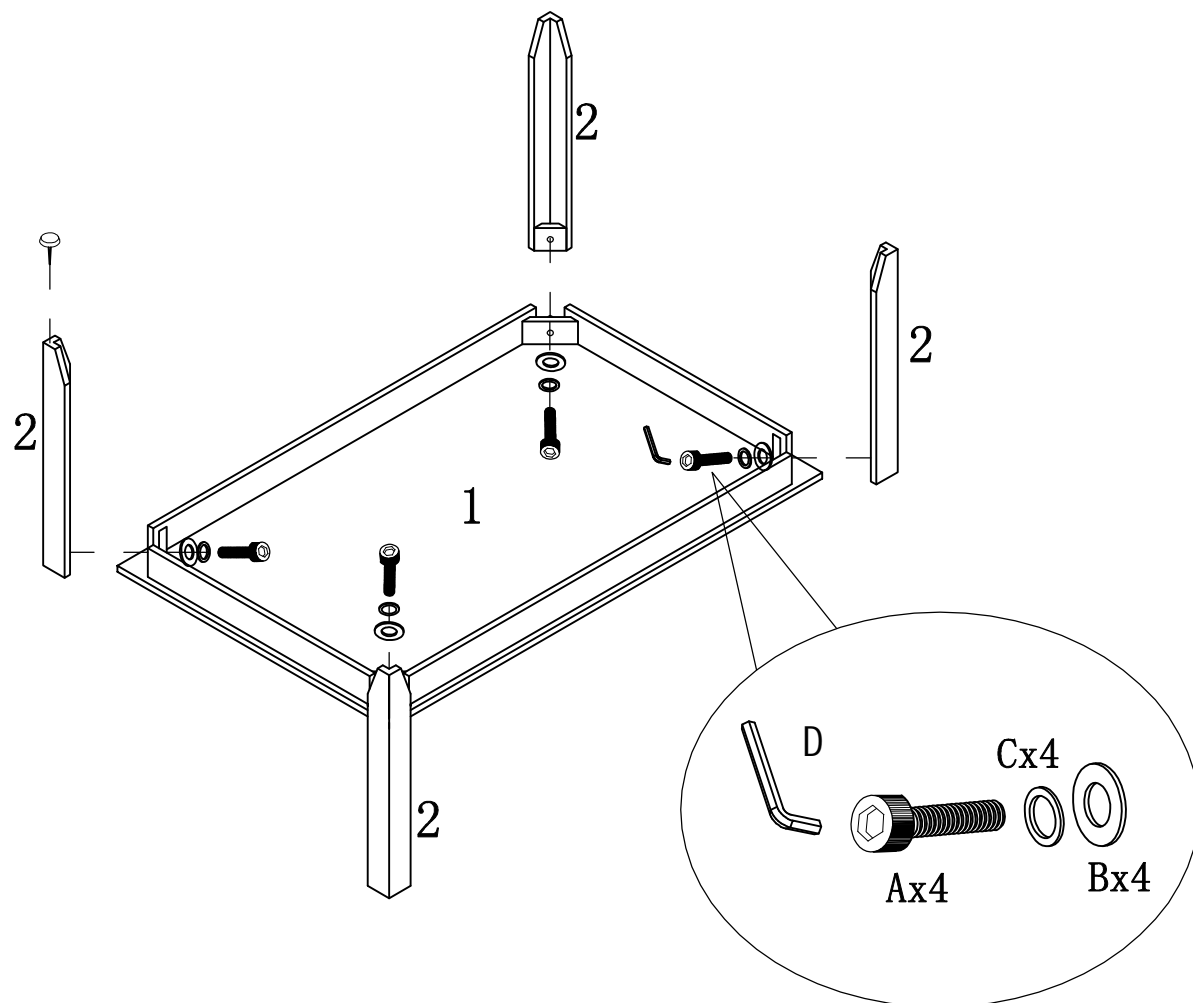
# HARDWARE IDENTIFICATIONS/ IDENTIFICATION DU KIT D'ASSEMBLAGE

ITEM NO/NO ARTICLE: CARLT2PK/243272-X2

A		M8x50	8pcs/pces
B		ø8x16x2	8pcs/pces
C			8pcs/pces
D		M5	1pcs/pces
E		M6x12	2pcs/pces
F		ø16 (BROWN)	8pcs/pces
G		ø5x25	16pcs/pces
H		80x25x110	1pcs/pces

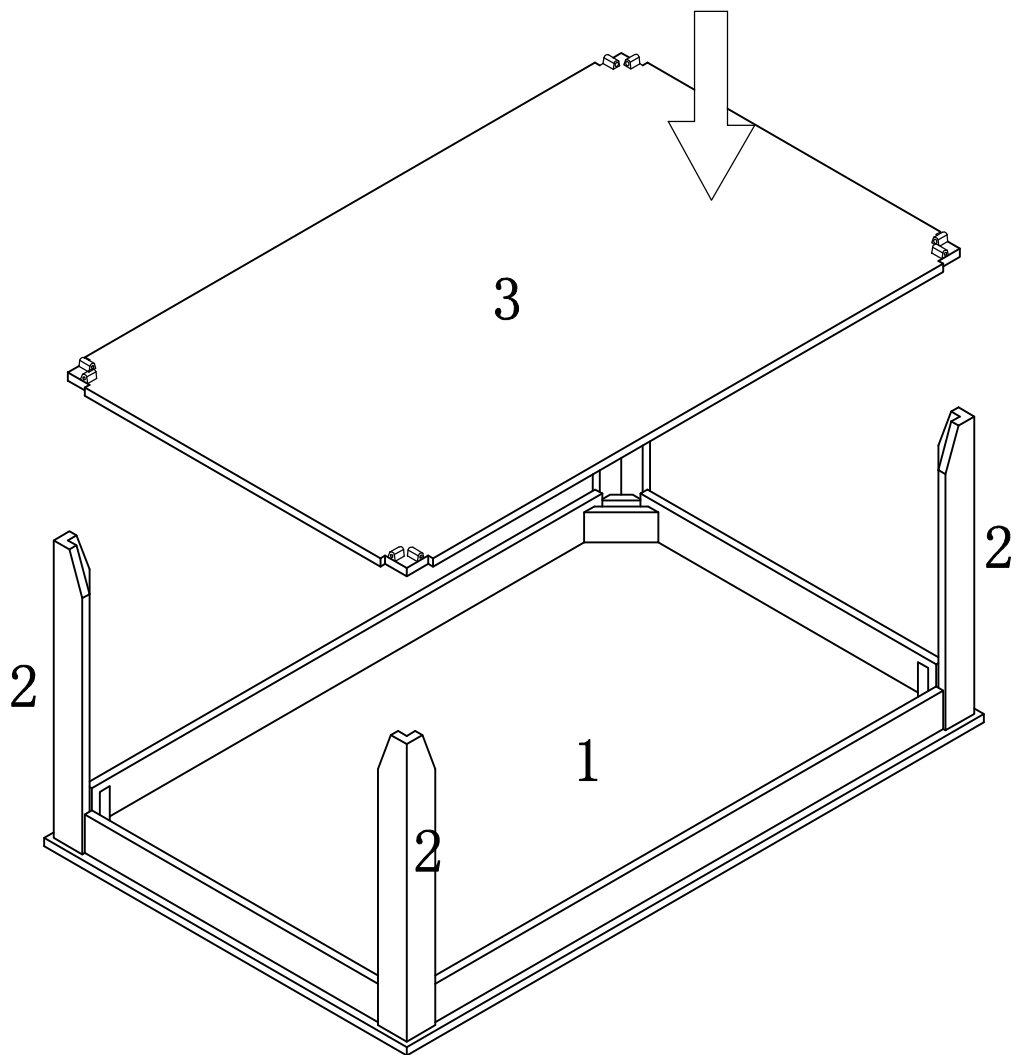
# ITEM NO/NO ARTICLE: CARLT2PK/243272-X2

STEP 1 / ETAPE 1



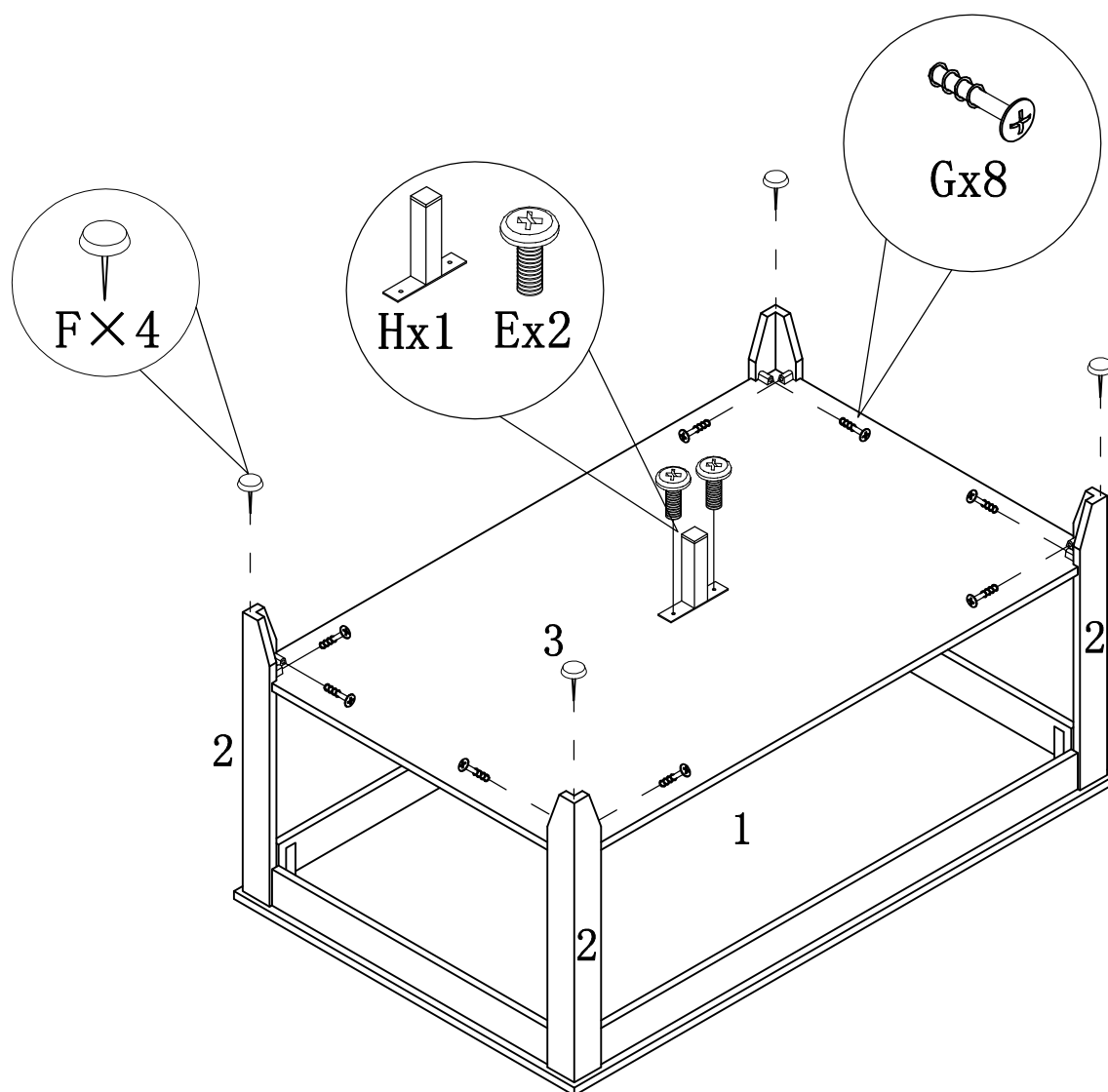
# ITEM NO/NO ARTICLE: CARLT2PK/243272-X2

STEP 2 / ETAPE 2



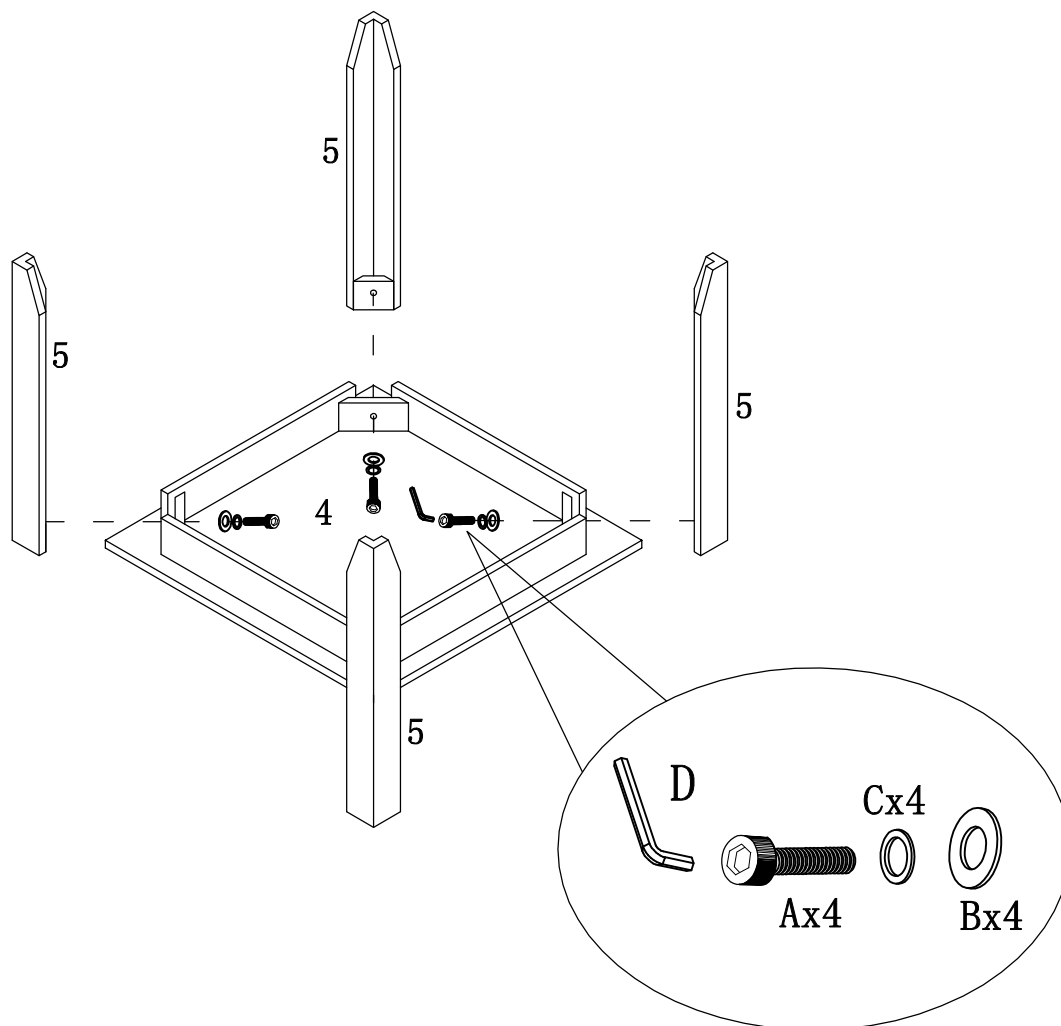
# ITEM NO/NO ARTICLE: CARLT2PK/243272-X2

STEP 3 / ETAPE 3



# ITEM NO/NO ARTICLE: CARLT2PK/243272-X2

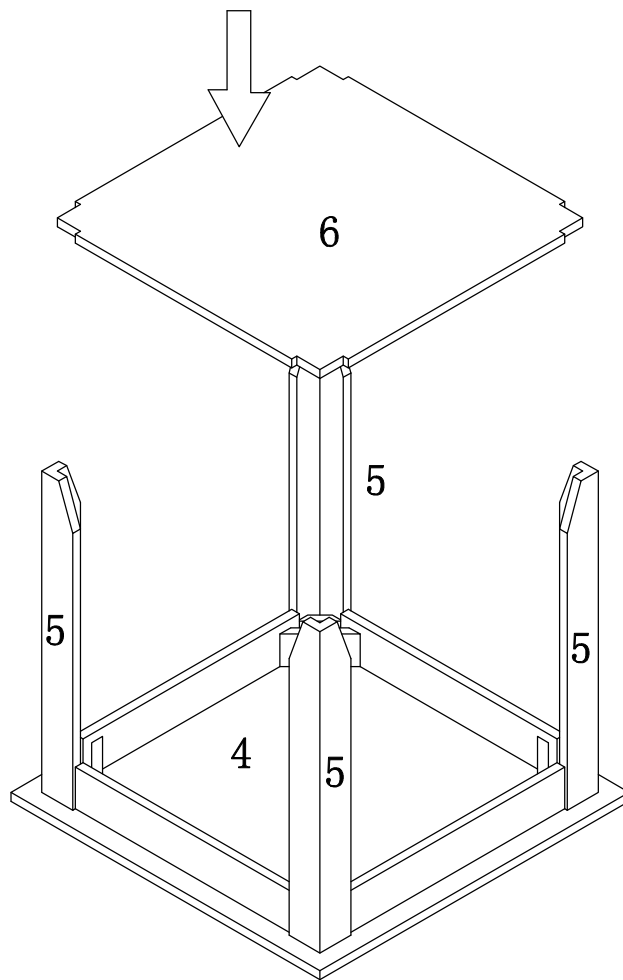
STEP 4 / ETAPE 4



# ITEM NO/NO ARTICLE: CARLT2PK/243272-X2

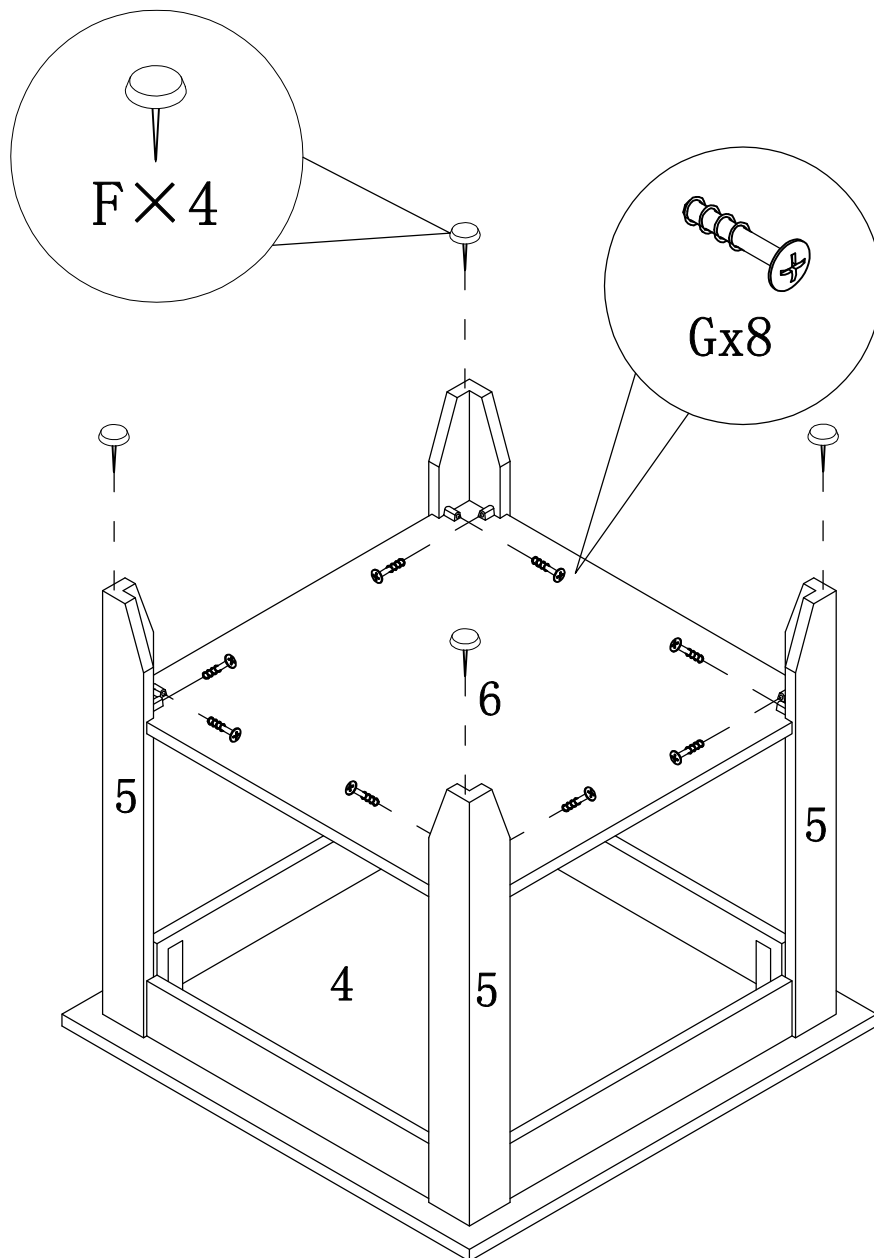
---

STEP 5 / ETAPE 5



# ITEM NO/NO ARTICLE: CARLT2PK/243272-X2

STEP 6 / ETAPE 6



ITEM NO/NO ARTICLE: CARLT2PK/243272-X2

---

STEP 7 / ETAPE 7

